

GSM / CDMA Communication System Antenna



Model No.

AN0918-88H01SM

Application

- Remote Control System
- Wireless Audio / Video System
- GSM / CDMA / 3G Mobile Phone System

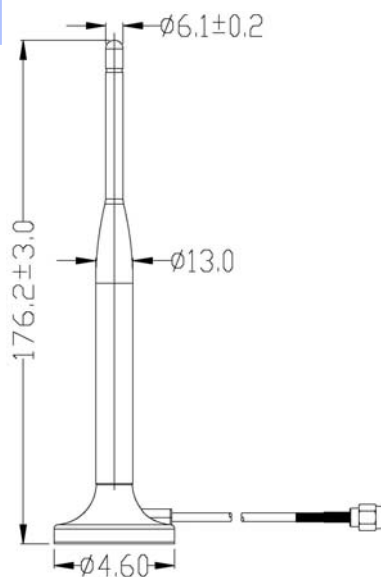
Features

- RoHS Compliant
- Low V.S.W.R. / Low Loss Design / High Gain
- High Efficiency and Sensitivity
- Low Loss RF Coaxial Connector Cable Feed
- Matching Free Design

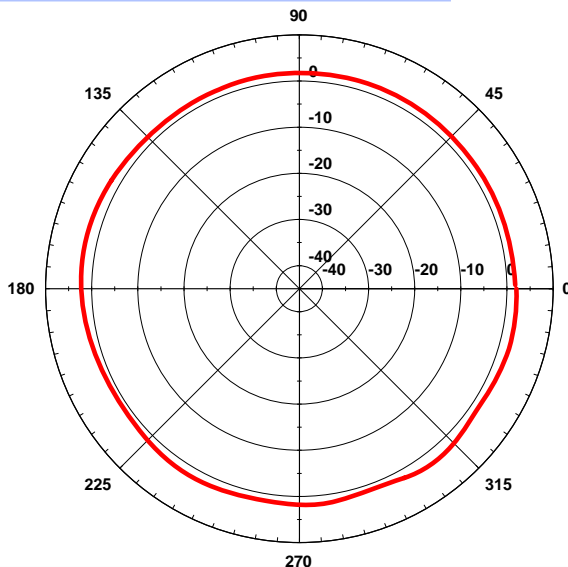
Specification

- Freq. : 824-960 & 1710-1990 MHz
- S.W.R. : ≤ 3.0
- Gain : 1~2 dBi (* Typical *)
- Radiation Pattern : Omni-Directional
- Connector : SMA / TNC / BNC / FME
- Cable : RG-58 or RG-174

Dimension



H-Plane Radiation Pattern



E-Plane Radiation Pattern

