

1575.42MHz GPS Active Antenna for Navigation System



Model No.

AG1575-0250MC

Application

- Global Positioning System
- GARMIN / Marine Positioning System
- GPS / GSM Car Tracking System

Features

- RoHS Compliant
- Low V.S.W.R. / Low Loss Design / High Gain
- High Efficiency and Sensitivity
- Low Loss RF Coaxial Connector Cable Feed
- Water Proof Design

Specification

Type 25x25 Ceramic Antenna

- Frequency : 1575.42 ± 5 MHz
- Polarization : Right Hand Circular Polarization
- S.W.R. : ≤ 1.5 • Gain : 4dBic @ 0 deg.

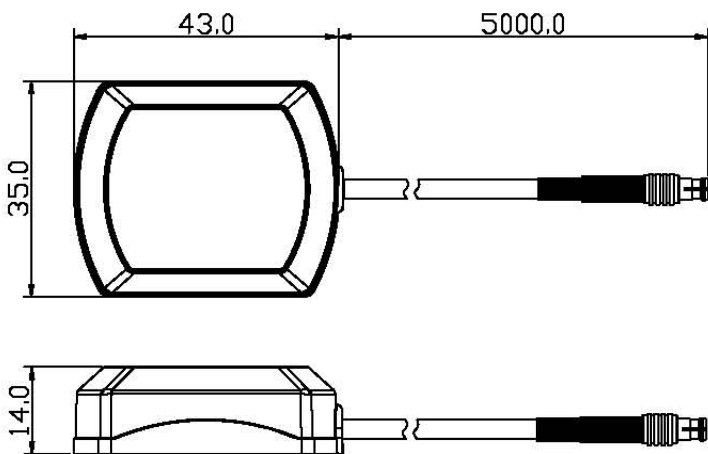
Amplifier / Filter

- Gain : 28 dB (typical) • Noise Figure : 1.5 dB
- Out Band Rejection : 7dB @ ± 20MHz;
20dB @ ± 50MHz;
30dB @ ± 100MHz;
- DC Voltage : 3 ~ 5 V • DC Current : 5 ~ 10mA

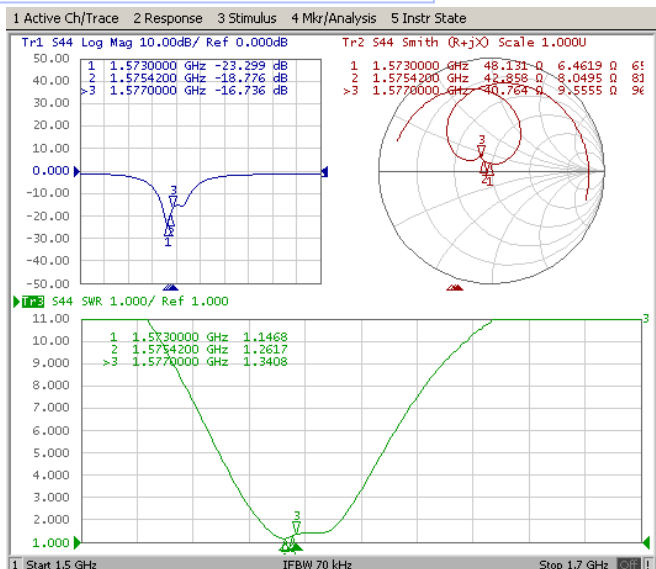
Mechanical / Environment

- Weight : < 110 g • Color : Black
- Connector : SMA/FME/MMCX/BNC/FAKRA
TNC/MCX/SSMB/SMB/SMC
- Cable : RG-174 // 5000 mm

Dimension



S.W.R



Radiation Pattern

