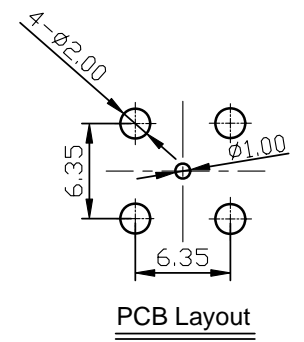
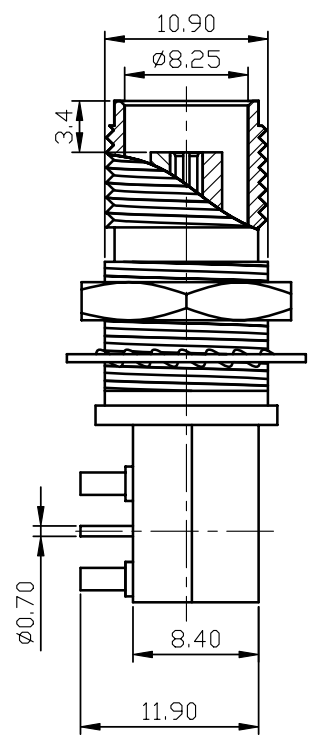
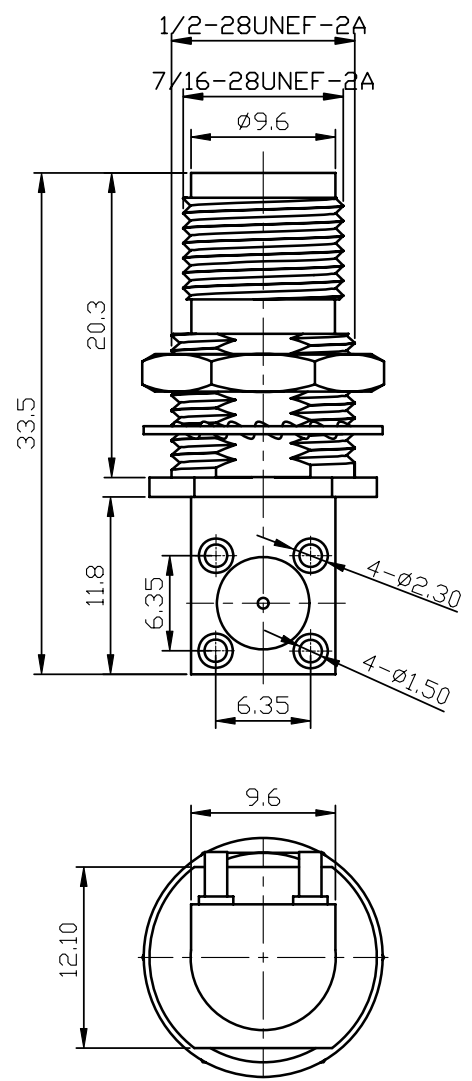


**RoHS**  
Compatible

SIGN	DATE	DESCRIPTION	APPROVER
▲			
▲			
▲			



Body: Zn-Alloy, Nickel-plating  
 Center Pin: Brass, Gold plated  
 Insulator: PP  
 NUT: Brass, Nickel-plating  
 Washer: Steel, Nickel-plating

Invax System Group.		<b>Cortec</b>		Cortec Technology Inc.		
		Http://www.invaxsystem.com		Tel :886-2-27885218		
		E-mail:info@invax.com.tw		Fax:886-2-27831658		
TITLE: TNC Female For PCB						
PART NO.: TNC110-ZN9FNPCB			DWG NAME: TNC110-CN9FNPCB			
APPROVED BY	CHECKED BY	DESIGNED BY		Tolerance		
Jeff	Tony	Lina		UNITS: mm	X.X	±0.2
2008/03/21	2008/03/21	2008/03/21		SCALE: 1/1	X.XX	±0.1
				REVISION: A	X°	±1°