



# SIM5320x SMT Module Design Guide



|                             |   |
|-----------------------------|---|
| <b>Document Title:</b>      | SIM5320x SMT Module Design Guide        |
| <b>Version:</b>             | 1.02                                    |
| <b>Date:</b>                | 2011-11-03                              |
| <b>Status:</b>              | Release                                 |
| <b>Document Control ID:</b> | SIM5320x SMT Module Design Guide _V1.02 |

#### **General Notes**

SIMCOM offers this information as a service to its users, to support application and engineering efforts that use the products designed by SIMCOM. The information provided is based upon requirements specifically provided to SIMCOM by the users. SIMCOM has not undertaken any independent search for additional relevant information, including any information that may be in the user's possession. Furthermore, system validation of this product designed by SIMCOM within a larger electronic system remains the responsibility of the user or the user's system integrator. All specifications supplied herein are subject to change.

#### **Copyright**

This document contains proprietary technical information which is the property of SIMCOM Limited., copying of this document and giving it to others and the using or communication of the contents thereof, are forbidden without express authority. Offenders are liable to the payment of damages. All rights reserved in the event of grant of a patent or the registration of a utility model or design. All specification supplied herein are subject to change without notice at any time.

***Copyright © Shanghai SIMCOM Wireless Solutions Ltd. 2011***

## Contents

|   |    |
|---|----|
| Introduction.....   | 3  |
| 1 Scope of the document.....                              | 3  |
| 2 Circuit design.....                                     | 3  |
| 2.1 Power supply circuit design.....                      | 3  |
| 2.2 POWER ON/OFF design.....                              | 4  |
| 2.3 Sleep and wake-up design.....                         | 5  |
| 2.3.1 Sleep mode Design guide.....                        | 5  |
| 2.3.2 Wake up Design guide.....                           | 5  |
| 2.4 SIM card circuit design.....                          | 6  |
| 2.5 Battery Charge design.....                            | 7  |
| 2.6 Antenna matching circuit design.....                  | 8  |
| 2.7 Firmware update.....                                  | 10 |
| 2.7.1 USB interface update.....                           | 10 |
| 2.7.2 FOTA update.....                                    | 12 |
| 3 Consideration in components and antennas placement..... | 12 |
| 4 Consideration in PCB layout.....                        | 14 |
| 5 Stacking up of multi-layers PCB.....                    | 15 |
| 5.1 Stack-up of two-layers PCB.....                       | 15 |
| 5.2 Stack-up of four-layers PCB.....                      | 16 |
| 5.3 Stack-up of six-layers PCB.....                       | 16 |
| 5.4 Stack-up of eight-layers PCB.....                     | 17 |
| 6 Appendix.....   | 17 |
| 6.1 Impedance control of RF trace.....                    | 17 |
| 6.2 Example of impedance controlled RF trace.....         | 20 |
| 6.2.1 Two-layers PCB.....                                 | 20 |
| 6.2.2 Four-layers PCB.....                                | 21 |
| 6.2.3 Six-layers PCB.....                                 | 22 |
| 6.2.4 Eight-layers PCB.....                               | 25 |

## Version History

| <b>Data</b> | <b>Version</b> | <b>Description of change</b>   | <b>Author</b>      |
|-------------|----------------|--------------------------------|--------------------|
| 2010-3-18   | 1.01           | Origin                         | Libing,WangGuizhou |
| 2011-11-07  | 1.02           | Add update and GPS description | Libing             |
|             |                |                                |                    |
|             |                |                                |                    |
|             |                |                                |                    |

## Introduction

This document describes the important points about RF that should be taken into account in client's application design. As SMT module can be integrated with a wide range of applications, the application notes are described in detail.

SMT module is a new and key product which is provided by SIMCom inc. This type module become very popular soon after it is released for its easy integration, good reliability. But bad RF design will lead to serious RF problems. In order to improve the RF performance, this document is formed to give the customer some design guides in RF design of SMT type module integration. Based on such considerations, at the later section, this document will describe some key issues that should be paid more attention to.

## 1 Scope of the document

This document is intended for the following versions of the SIMCOM modules

- SIM5320A
- SIM5320E
- SIM5320J
- SIM5320C

***NOTE: This document can apply for all SMT Modules. SIM5320 is selected as a demonstration in the under sections.***

## 2 Circuit design

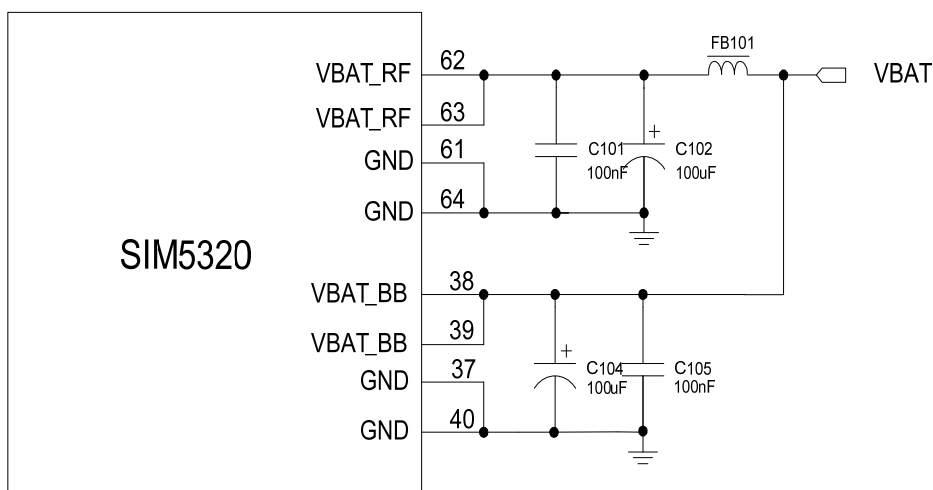
When the customer begins to integrate the SMT type module into their product, the first thing to be considered is the circuit design. In this section, we will focus on the circuit design which is related to the RF performance. This section is divided into two sub-parts, the first is the power supply circuit design; the second is the antenna matching circuit design.

### 2.1 Power supply circuit design

Because the SMT module is a high power consuming communication system, and the maximum working power will up to 2watt in worst case, so, this will form a large voltage drop at the module's power supply port. To make the SMT module have a stabilized working condition, we

recommended a large tantalum capacitor (100uF or more capacity is recommended) shunted to the module's power supply port. To get better noise decoupling performance, some additional small ceramic capacitors can be added combined with the large capacitor.

If the SMT module is powered by a DC-DC in the customer's design, to avoid the module's RF performance is affected by the switching frequency of the DC-DC, for example, modulation spectrum, switching spectrum, a series large current ferrite bead (with rated current minimum 2A) should be added at the power supply port. The recommended power supply circuit is shown as below:

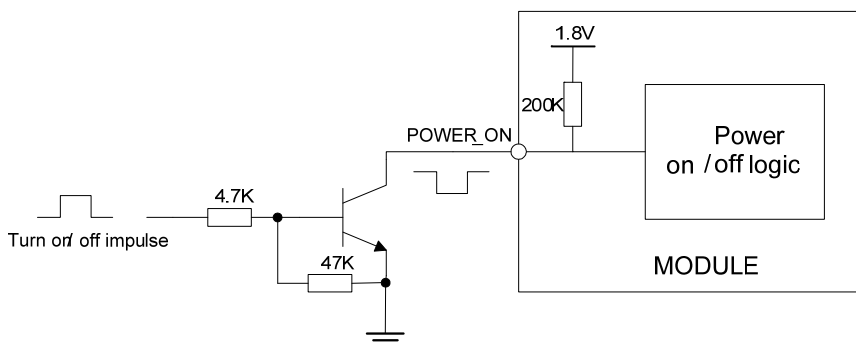


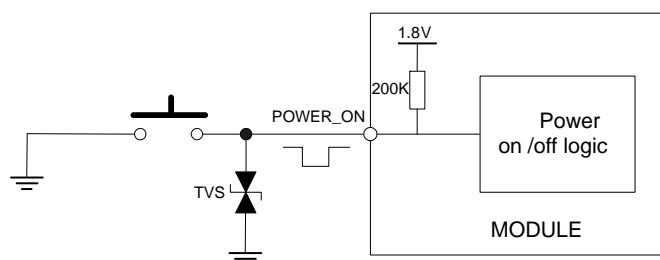
**Figure 1: Power supply circuit**

In this circuit, by default, the component FB101 should be a 0ohm resistor with 0805 size. When the module is powered by DC-DC, and the module's RF performance is affected by the DC-DC's switching frequency, FB101 can be changed to a large current ferrite bead to filter the noise. We recommend using BLM21PG221SN1 (provided by murata).

## 2.2 POWER ON/OFF design

The simplest way to turn on/off SIM5320 is driving the POWER\_ON to a low level for 64ms then release. POWER\_ON pin has been pulled up to 1.8V inside the module. Following figure is the recommended connection with a NPN transistor. User can choose a GPIO of host to control the POWER ON/OFF. Please note that don't add a capacitor on POWER\_ON pin, or it may cause some unexpected problems when power on/off process.



**Figure 1: Powered on/down module using transistor****Figure 2: Powered on/down module using button**

## 2.3 Sleep and wake-up design

### 2.3.1 Sleep mode Design guide

SIM5320x in sleep mode can reduce power consumption. SIM5320x USB interface is connected with a host CPU. SIM5320X could enter sleep mode when the host CPU supports USB suspend mode, otherwise it could not enter sleep mode.

If host CPU don't support USB suspend mode, the SIM5320X module can enter sleep mode by cutting off USB\_VBUS line.

**NOTE:**

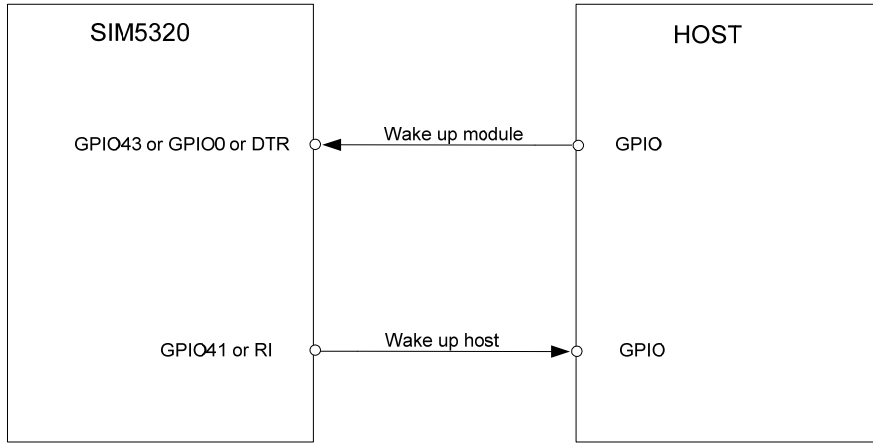
**1 SIM5320x can not enter sleep mode until module RXD is pulled low.**

**2 SIM5320x RXD is pulled down by 15k ohm inside SIM5320x. Please don't connect if RXD is not used.**

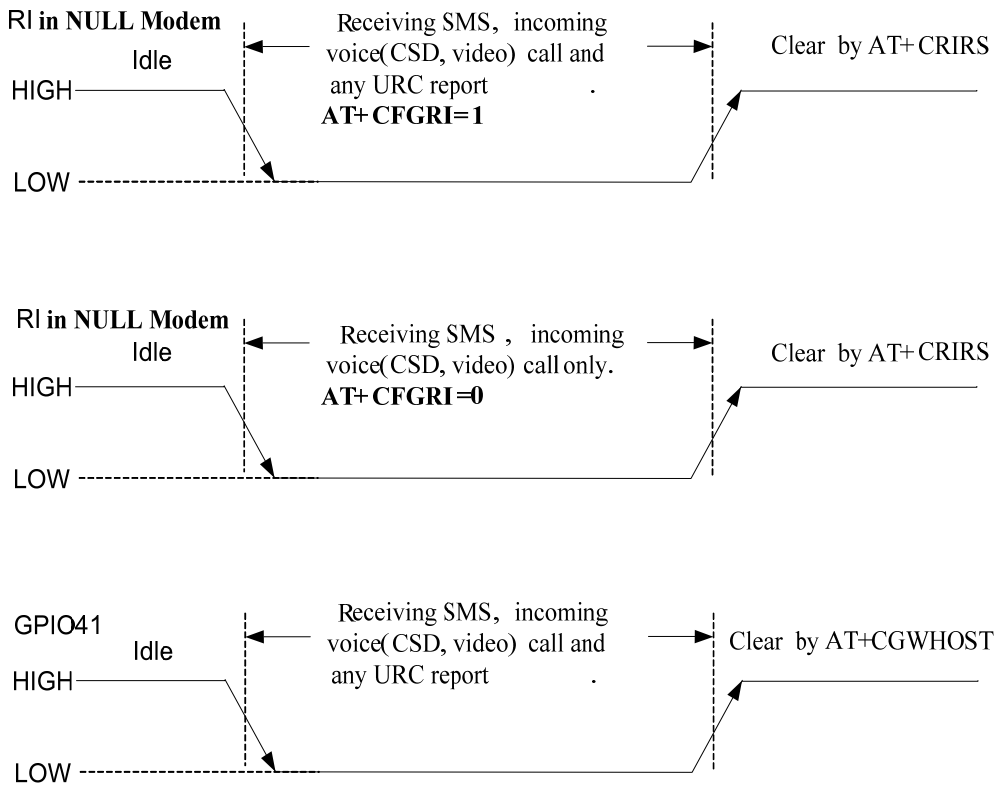
**3 Please reference SIM5xxx\_sleep\_mode\_Application\_Note for detailed.**

### 2.3.2 Wake up Design guide

SIM5320x can be waked up and drive GPIO41 and RI to low level when it receives a voice or data call and a SMS from network. So user can use SIM5320x GPIO41 or RI pin to wake up host if module and host are both in sleep mode. Host can wake up SIM5320x via pulling our GPIO43 or GPIO0 or DTR low level. Following figures below are the reference circuit and wake-up output behavior.



**Figure 4: Wake up reference circuit**



**Figure 5: wake-up output behavior.**

**NOTE:** Please reference *SIM5320x\_Waking\_up\_Application\_Note* for detailed.

## 2.4 SIM card circuit design

The SIM 5320x SIM interface allow the mobile equipment to attach to a GSM or UMTS network.. Both 1.8V and 3.0V SIM card are supported. The SIM interface is powered from an internal regulator in the module.

SIM 5320x does not support SIM detect feature.It’s interface has 4 signals:

- V\_SIM: SIM power supply.



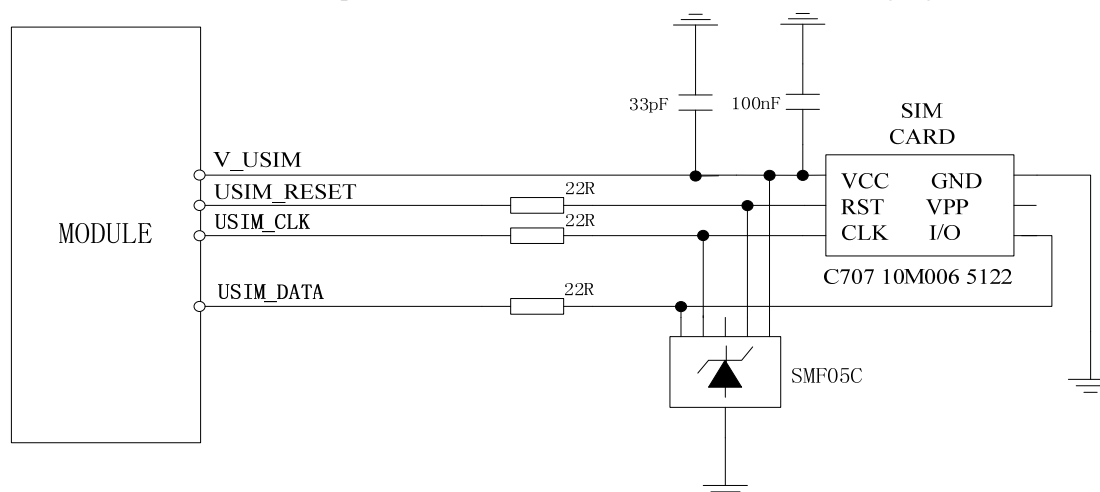
- USIM\_RESET: SIM reset.
- USIM\_CLK: SIM clock.
- USIM\_DATA: SIM I/O port.

The pull up resistor (15K $\Omega$ ) on the SIM\_DATA line is already added in the module internal. Note that the SIM peripheral circuit should be close to the SIM card socket.

It is recommended to use Transient Voltage Suppressor diodes (TVS)( such as ST ESDA6V1W5 or ON SEMI SMF05C) on the signal connected to the SIM socket in order to prevent any Electrostatics Discharge. TVS diodes with low capacitance (less than 10 pF) have to be connected on USIM\_CLK and USIM\_DATA signals to avoid any disturbance of the rising and falling edge. These types of diodes are mandatory for the Full Type Approval. They shall be placed as close as possible to the SIM socket.

Some resistors can be added on SIM signals to enhanced EMC and ESD performance. We recommend to use 22 ohm.

The reference circuit of the 8-pin SIM card holder is illustrated in the following figure.

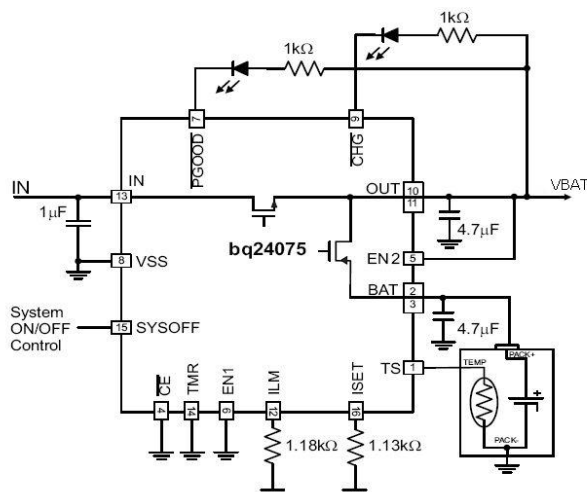


**Figure 6: SIM card circuit design**

**NOTE:** *If user use an embedded SIM chip, TVS devices is not required. we recommend the 33pf capacitors to add EMC protection and against RF emissions.*

## 2.5 Battery Charge design

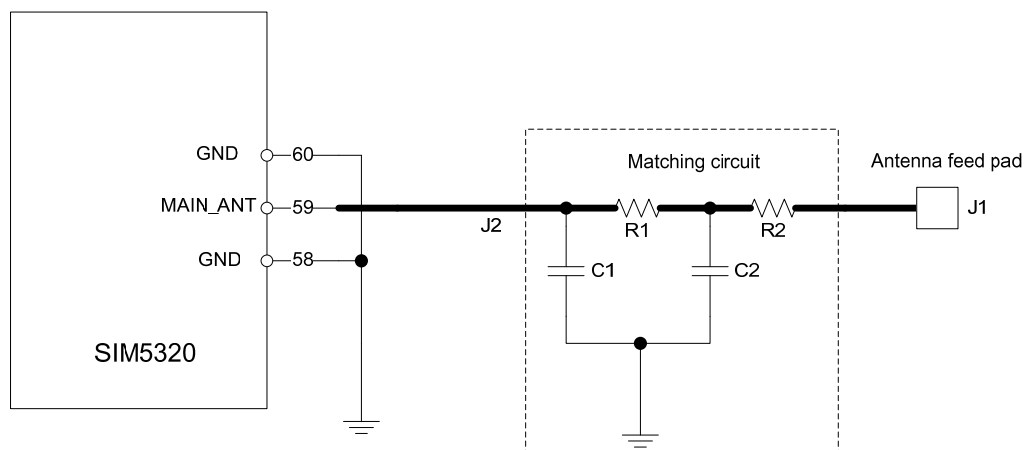
SIM5320x do not support the battery charge function. When the Li-ion battery is needed in the application, a charger IC will be implemented. If the battery is only for backup (the AC adaptor is mostly powered), we suggest user choose a charger IC with power-path management for battery lifespan. For example: BQ2407x series from Texas Instruments. Following figure is the reference circuit using BQ24075.



**Figure 7: Battery Charge Supply**

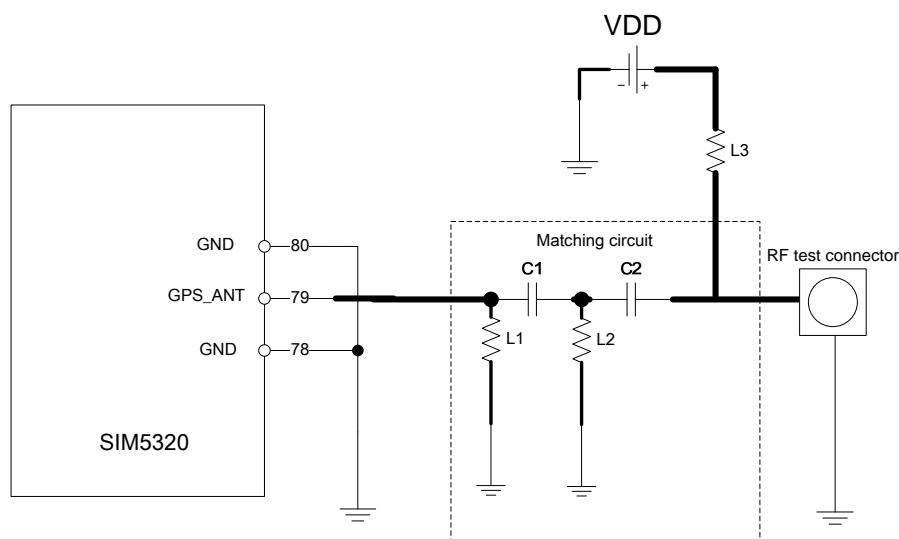
## 2.6 Antenna matching circuit design

Because the module is working under 50ohm system in RF part, so, to get the best RF performance, the SMT module's load impedance should be tuned to 50ohm. But in fact, the most antenna's port impedance is not a purely 50ohm, so, to meet the 50ohm requirement, an additional antenna matching circuit should be needed. For the RF test connector, we suggested the customer use the part vended by Murata, its part number is MM8430-2610. The recommended main antenna and GPS antenna matching circuits are shown as below:



**Figure 8: Main antenna matching circuit**

In the above Figure, the components R1, C1 and C2 make up a pi-type matching circuit structure. R2 is optional and may be deleted if not used. The RF traces must be 50 ohm impedance controlled in user's PCB design.



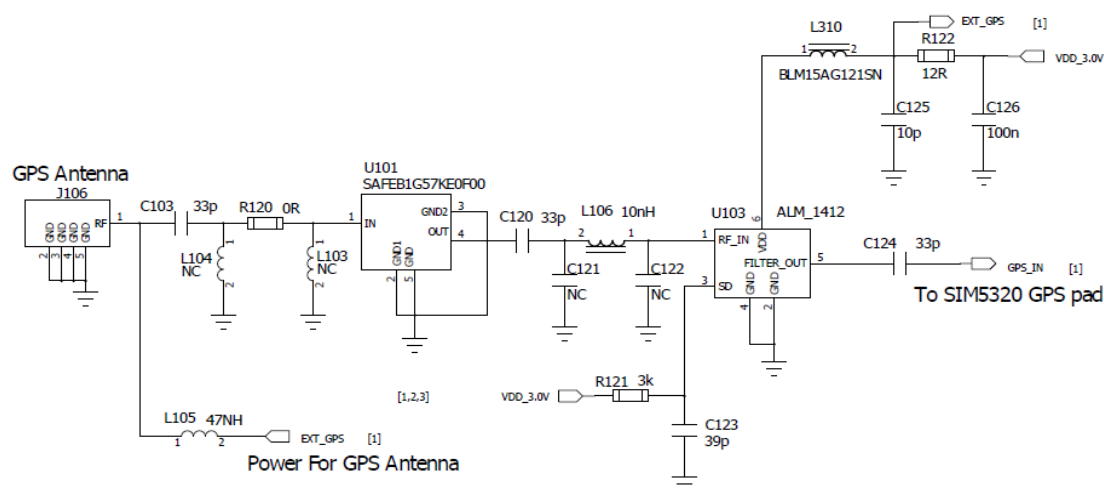
**Figure 9: GPS Active antenna circuit**

In above Figure, the components C1, and L1, L2 are used for GPS antenna matching, the value of these components depends upon the stack-up layout details and the antenna characteristics. User must pay enough attention to C2 and L3, because the values of these two components depend on the type of antenna. If a passive antenna is used, L3 must be left to NC, C2 can be used as a matching component; but if an active antenna is used, L3 would better be an inductor and C2 must be a capacitor which is used to isolate DC current. It's recommended that L3 using a 47nH inductor and C2 using a 33pf capacitor when active antenna is used.

In active antenna mode, users must provide a VDD which is used to power the active antenna. And this voltage should meet the requirement of active antenna. By the way, VDD should be able to shut down to avoid additional current consumption when GPS is not used.

The RF traces must be 50 ohm impedance controlled in user's PCB design.

If user wants to get better GPS performance, SIMCOM strongly recommended use an external LNA and active antenna, GPS performance will be improved significantly. On the SIM5320 EVB, GPS performance improved by approximately 3db. The recommended GPS circuit is shown as below.



**Figure 10: GPS Active antenna circuit (with external LNA)**

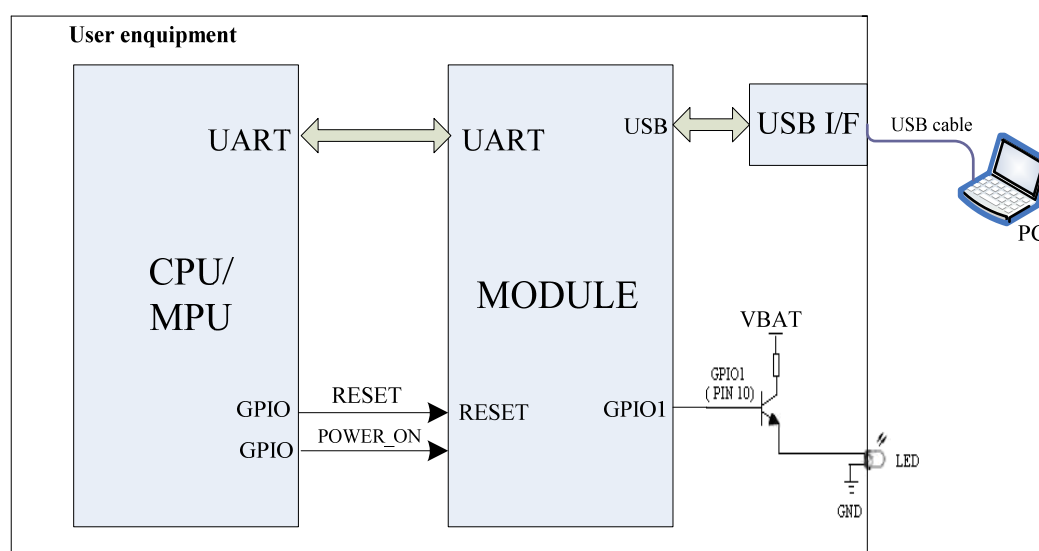
**NOTE:** If the GPS antenna is very close to the module, user can choose a passive antenna.

## 2.7 Firmware update

If SIM 5320x is embed into user's equipment and can't be taken out easily, The module provides two firmware update methods that called USB interface update and FOTA update.

### 2.7.1 USB interface update

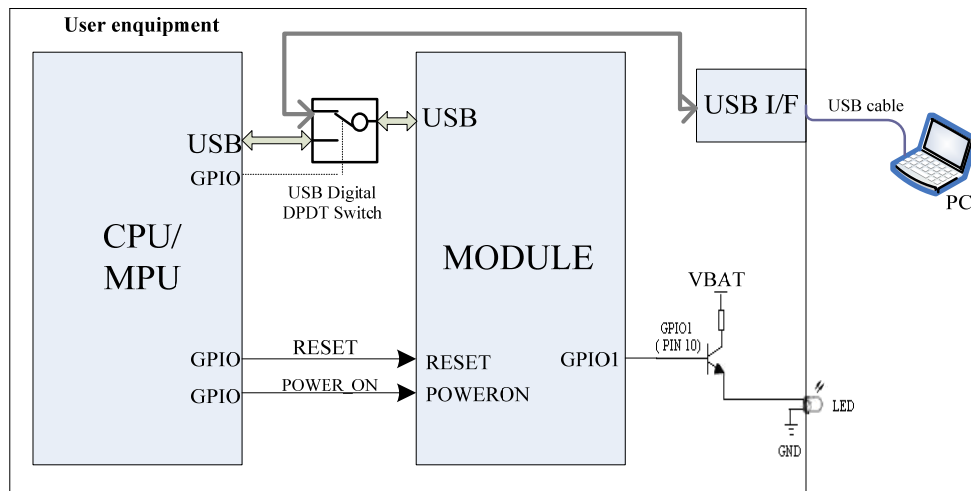
If SIM 5320x communicate with MCU/CPU by hardware UART interface, user can route module USB to a USB-A/USB-B/mini-B slot, and connect USB slot to PC with USB cable. The recommended circuit is shown as below.



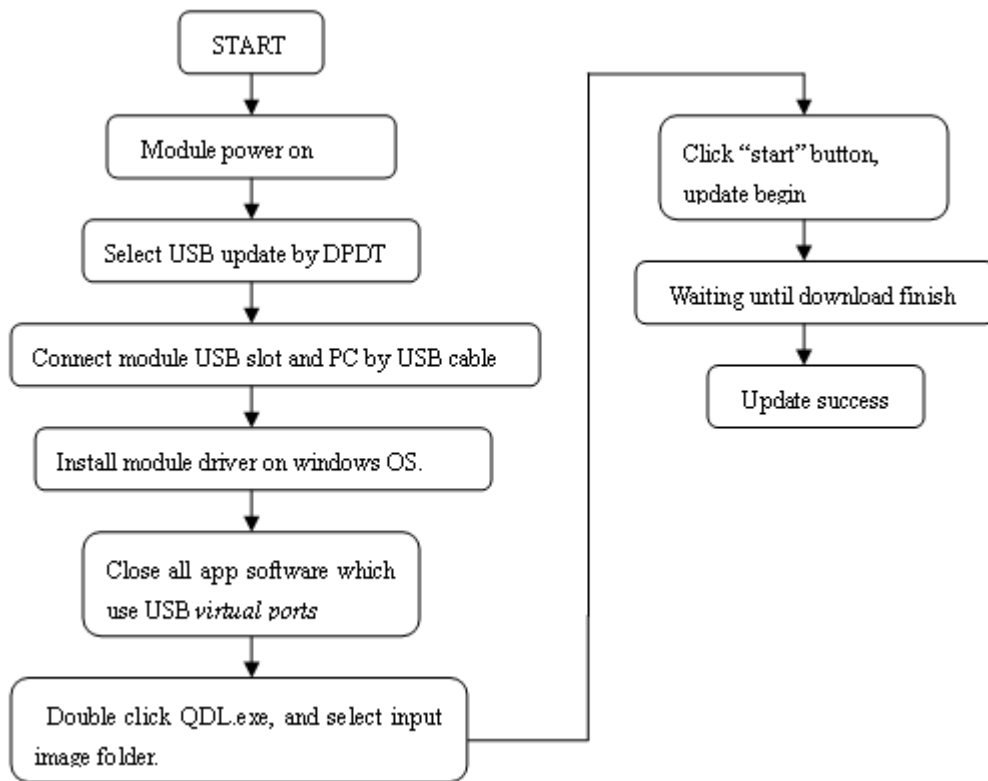
**Figure 11: USB interface update reference circuit (UART communicate)**

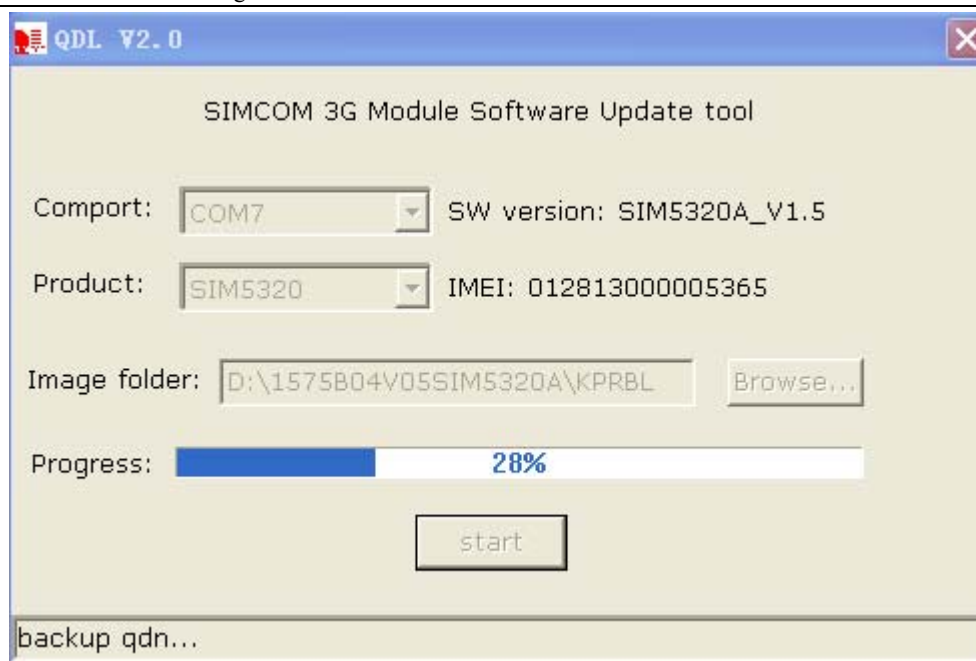
If the host cpu has running wince , android, [linux](#), win XP or win 7 OS, and communicates with the module using the USB interface. SIMCom provides upgrade tools, which can be compiled into the OS. Upgrade tools can be used to upgrade module with the new firmware.

If SIMCom upgrade tool can not be compiled into host os, user can select a USB 2.0 analog switch if one wants to use USB update. In USB update mode, modules are connected to PC with USB cable by GPIO of CPU/MCU controlling. For USB 2.0 analog switch, User can use ON Semiconductor NLAS7222C. The recommended circuit is shown as below.



**Figure 12: USB interface update reference circuit (USB DPDT switch)**





**Figure 13: USB interface update procedure**

*Note: USB 2.0 analog switch chip may add cost.*

### 2.7.2 FOTA update

FOTA update feature can be used to upgrade the module firmware. User wants to know how to use the FOTA update, please contact SIMCom.

*Note: network traffic is required when FOTA is used to upgrade the module firmware.*

## 3 Consideration in components and antennas placement

In a PCB design, a good placement of components will help customer to get good performance. The following are some thumbs should be followed.

- 1) The SMT module should be placed far away from the noise source circuit, such as high speed digital circuit, etc. if this requirement cannot be met, the noise source circuit should be shielded perfectly. This will help to reduce the interference between the SMT module and the noise source circuit.
- 2) The placement of SMT module should make the module's RF port close to the antenna's feed pad. This will make the length of RF trace between the module's RF port and antenna as short as possible, and consequently.
- 3) The decoupling capacitor of module's power supply should be placed close to the VBAT pads,

this will help the improvement of decoupling.

4) The antenna must be placed far away from noise source such as: LCD FPC, DCDC circuit, backlight control circuit; antenna also must be far away from the metal components such as: battery, speaker, motor, battery connector, other antennas, LCD and so on.

5) If the GPS function is used, customer’s design must account for the transmitter leakage into GPS receiver and if this happens the GPS performance will be drew down. Ideally, the GPS antenna would be placed as far away from the transmitter antennas as possible.

The best placement and some bad placements are shown as below:

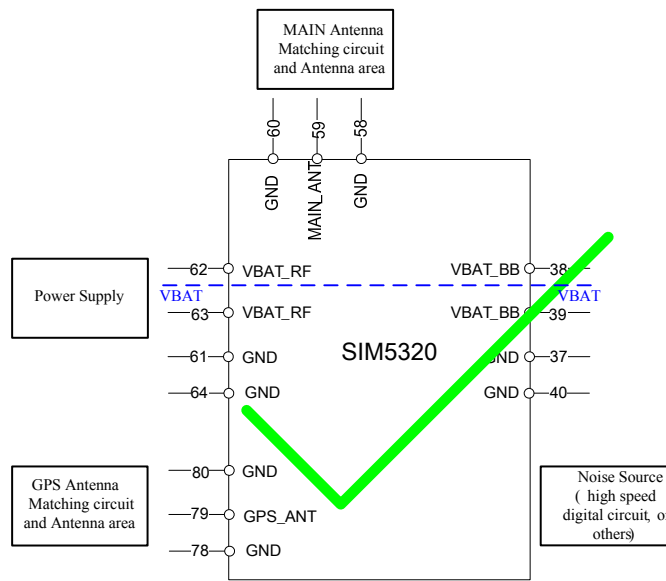


Figure 14 Good Placement

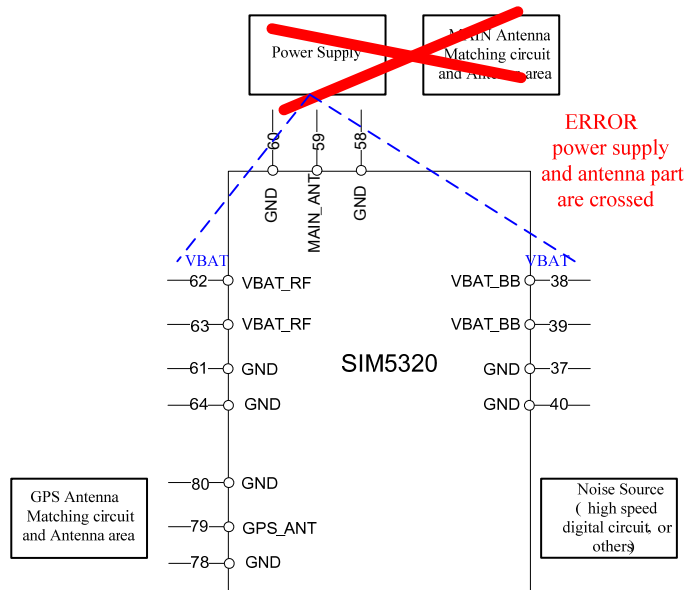


Figure 15 Bad Placement

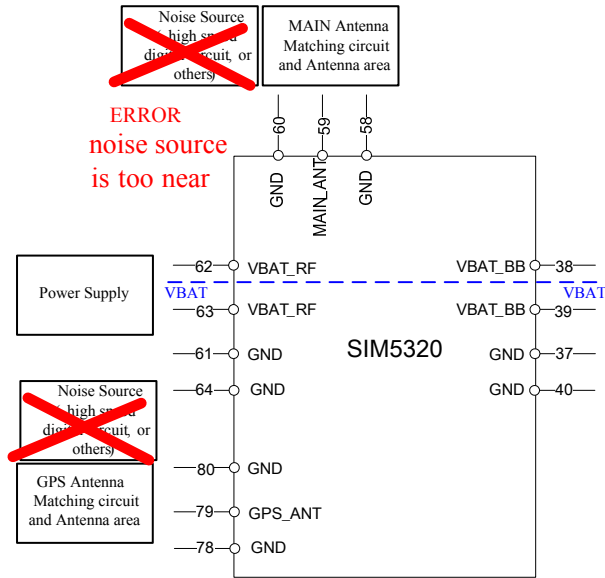


Figure 16 Bad Placement

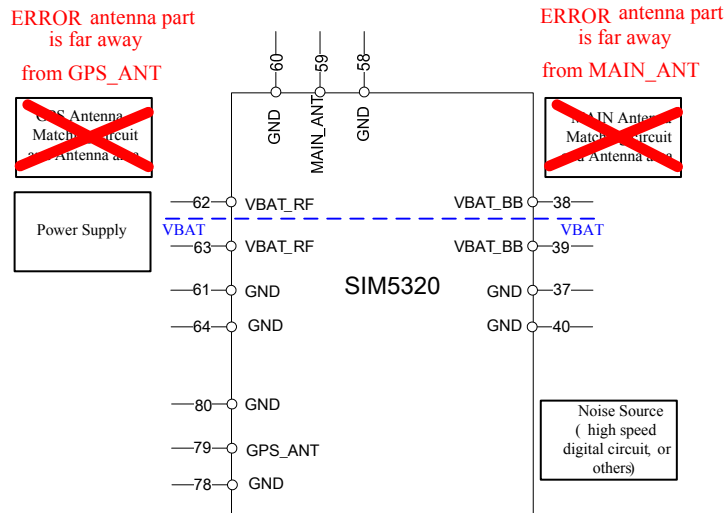


Figure 17 Bad Placement

Figure14 is the best placement; antenna part is near MAIN\_ANT pad, power supply is near VBAT pad, noise source is far away the SIM5320.

Figure15, Figure16, Figure17 are bad placements. Figure15, power supply and antenna part are crossed; Figure16, noise source is near to SIM5320; Figure17 antenna part is far away from MAIN\_ANT and GPS\_ANT pad of SIM5320.

#### 4 Consideration in PCB layout

In product’s PCB design, a good PCB layout will help the improvement of the whole product performance, including reliability, EMC performance, etc. The following are some considerations for referenced:



- a) The Layer1.under SMT module test port should be copper keep out , layer2 should be GND;
- b) The Layer2 under SMT module MAIN\_ANT and GPS\_ANT pad should be copper keep out , layer3 should be reference GND;
- c) The Layer1.Layer2 under RF test connector should be copper keep out, layer3 should be GND; the space to GND plane should more than 0.5mm.
- d) RF trace between SMT module RF pad with the RF test connector, RF trace between RF test connector with the antenna matching circuit, RF trace between the antenna matching circuit with the antenna feed PAD all should be controlled to 50 Ohm
- e) Avoid to layout any high speed signal under RF trace, if high speed signal is needed, a GND plane is needed between these two signals.
- f) All layers under the antenna feed pad should be copper keep out. Or, the space between antenna feed pad with the GND under feed pad should be more than 1mm.
- g) Do not layout RF trace in orthogonal.
- h) When layout surface Mircostrip Transmission Line or offset Strip Transmission Line , 3W rule should be followed, that means the space between reference GND with RF trace should three times more than the width of RF trace.
- i) The VBAT trace should be short and wide, recommended above 80mil.
- j) The layout of GROUND is very important. user should keep a full ground on top layer, and most of traces should be layout on the bottom layer, especially the audio traces(MIC & EAR &SPK), keep a whole GROUND under the module shield.
- k) The width of MIC& EAR traces should be 8-10mil. The width of SPK traces should be 20 mil. The audio traces had better use difference connection and keep parallel.
- l) The ground layer ( top , inner layers and bottom) must be connected with many vias.

## 5 Stacking up of multi-layers PCB

For EMC performance consideration, once the working frequency in the customer's product is over than 5MHz, or the rise-up/fall-down period of digital signal is less than 5ns, then multi-layers PCB should be considered. Now, the more common multi-layer PCB structure is four-layers, six-layers and eight-layers PCB, etc. If the customer's product is designed in multi-layers PCB technology, then the stack-up design of multi-layers PCB will become very important. The following will show some typical stack-up design of multi-layers PCB, but each design has its own advantages and disadvantages.

**Note: In the following table, S1 indicates the first signal layer; S2 indicates the second signal layer, and so on.**

### 5.1 Stack-up of two-layers PCB

|  |           |              |
|--|-----------|--------------|
|  | Top layer | Bottom layer |
|--|-----------|--------------|

|        |              |              |
|--------|--------------|--------------|
| Case A | S1+POWER+GND | S2+POWER+GND |
|--------|--------------|--------------|

Table1 Stack-up of two-layers PCB

Two-layers PCB is the lowest cost solution, but this solution has the worst EMC performance, and it is not appropriate in high speed design, because in this solution, the ground integrity, the crosstalk between signal traces is very bad.

## 5.2 Stack-up of four-layers PCB

|        | Top layer | Second layer | Third layer | Bottom layer |
|--------|-----------|--------------|-------------|--------------|
| Case A | GND       | S1+POWER     | S2+POWER    | GND          |
| Case B | S1        | GND          | POWER       | S2           |

Table2 Stack-up of four-layers PCB

Case A, should be the best case in four-layers PCB board design. In this case, the outer layer is ground layer, which have some help in shielding the EMI signals; and also, the power supply layer is very close to the ground layer, so the power supply resistance is smaller, and the EMC performance will be very good. But if the density of devices on the PCB is very high, then this type PCB stack-up should not be used to design, because the ground integrity can not be assured under high density design, and the signal quality in second layer will be very bad. In this situation, Case B is the most common way usually.

## 5.3 Stack-up of six-layers PCB

|        | Top layer | Second layer | Third layer | Fourth layer | Fifth layer | Bottom layer |
|--------|-----------|--------------|-------------|--------------|-------------|--------------|
| Case A | S1        | GND          | S2          | S3           | POWER       | S4           |
| Case B | S1        | S2           | GND         | POWER        | S3          | S4           |
| Case C | S1        | GND          | S2          | POWER        | GND         | S3           |
| Case D | GND       | S1           | POWER       | GND          | S2          | GND          |

Table3 Stack-up of six-layers PCB

Six-layers PCB gives more design flexibility than a four-layers PCB, but it takes some work to make it ideal in EMC terms.

Case A in the above table, is the usually common way. In this case, S1 is a better signal routing layer, and S2 somewhat less. But this case has a disadvantage that this stack-up has very little distributed capacitance between its ground and power planes.

Case B has good EMC characteristics, because this stack-up has good noise decoupling between the power plane and ground for the big distributed capacitance.

Case C is the better stack-up, in this case, S1, S2 and S3 are good signal routing layer, the power decoupling is good for the big distributed capacitance between the ground and power planes.

Case D is the best stack-up, the EMC performance will be good, but the disadvantage is that the

routing layer is less than other type stack-up.

## 5.4 Stack-up of eight-layers PCB

|   | Top layer | Second layer | Third layer | Forth layer | Fifth layer | Sixth layer | Seventh layer | Bottom layer |
|---|-----------|--------------|-------------|-------------|-------------|-------------|---------------|--------------|
| A | S1        | S2           | GND         | S3          | S4          | POWER       | S5            | S6           |
| B | S1        | S2           | S3          | GND         | POWER       | S4          | S5            | S6           |
| C | S1        | GND          | S2          | S3          | S4          | S5          | POWER         | S6           |
| D | S1        | GND          | S2          | S3          | GND         | POWER       | S4            | S5           |
| E | S1        | GND          | S2          | GND         | S3          | POWER       | S4            | S5           |
| F | S1        | GND          | S2          | GND         | POWER       | S3          | GND           | S4           |

Table4 Stack-up of eight-layers PCB

Eight-layers PCB gives more design flexibility than a six-layers PCB, but it takes some work to make it ideal in EMC terms.

If the design needs 6 signal routing layers, then case A will be the best stack-up design, but this type stack-up should not be used in high speed digital circuit design.

If the product design needs 5 signal routing layers, case E will be the best. In this case, S1, S2 and S3 are good signal routing layer, and the power decoupling is good.

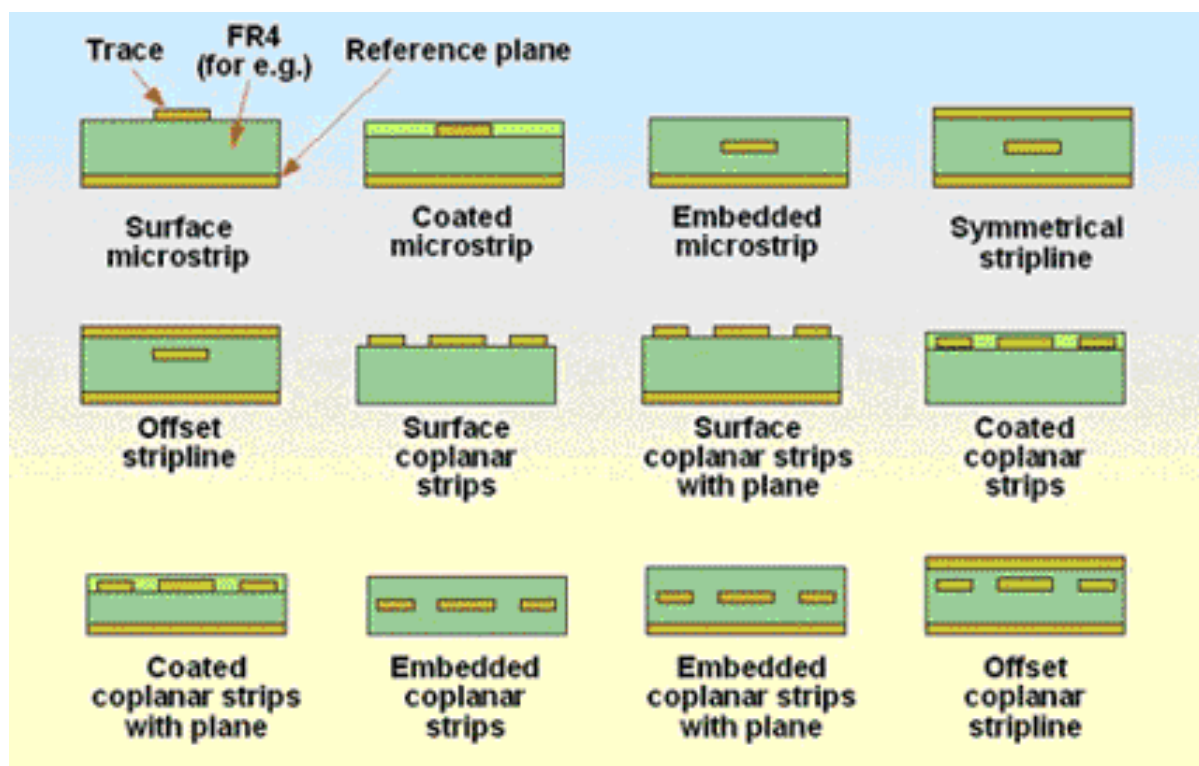
If the design needs 4 signal routing layers, case F will be the best. In this case, every signal routing layers are good. In all the case, the signal trace routed in adjacent signal routing layers should be orthogonal.

## 6 Appendix

### 6.1 Impedance control of RF trace

Because the module's RF part is working in a 50ohm system, so its output load impedance should be 50ohm, to meet this requirement, the all RF signal trace should be impedance controlled, and its characteristic impedance should be 50ohm.

The RF trace impedance can be controlled through using different trace geometry. There are more than thirty different types of transmission line which can easily be created on a PCB. Twelve of them are shown in figure 18



**Figure 18: twelve typical PCB transmission line**

Usually, Surface Microstrip Transmission Line and offset Strip Transmission Line are the most common structures. In 50ohm RF system, through adjusting the width of RF traces and the spacing to the reference GND, the impedance of RF traces can be controlled to 50Ohm. The appendix will show some illustration in impedance controlled RF trace designing.

The customer may use software tool to calculate the impedance of RF trace, for example CITS25, released by POLAR, the website is <http://www.polarinstruments.com/>, or APPCAD released by AGILENT, the website is <http://www.hp.woodshot.com>.

Here are two examples about using CITS25 to calculate, Surface Microstrip Transmission Line and Offset strip Transmission Line correspondingly. Based on stack up of six-layers PCB (thickness =1.0mm) shown in appendix.

Surface Microstrip Transmission Line, the height is 298um ( $25+70+203=298\mu\text{m}$ ), the thickness is 25um, the result width (w) is 584um, as shown in figure 19.

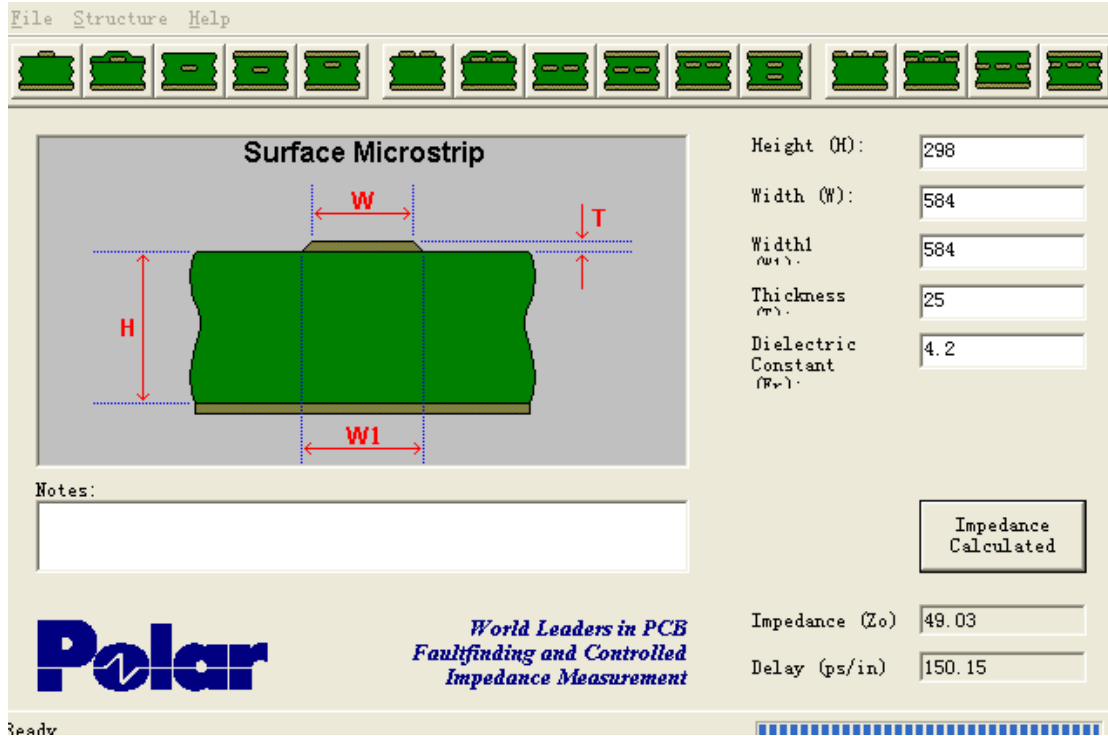


Figure 19: Surface Microstrip Calculate

Offset Strip Transmission Line, the height between two reference GND is 418um (203+35+180 = 418um), the height between RF trace and reference GND is 180um, the result width is 135um. as shown in figure 20.

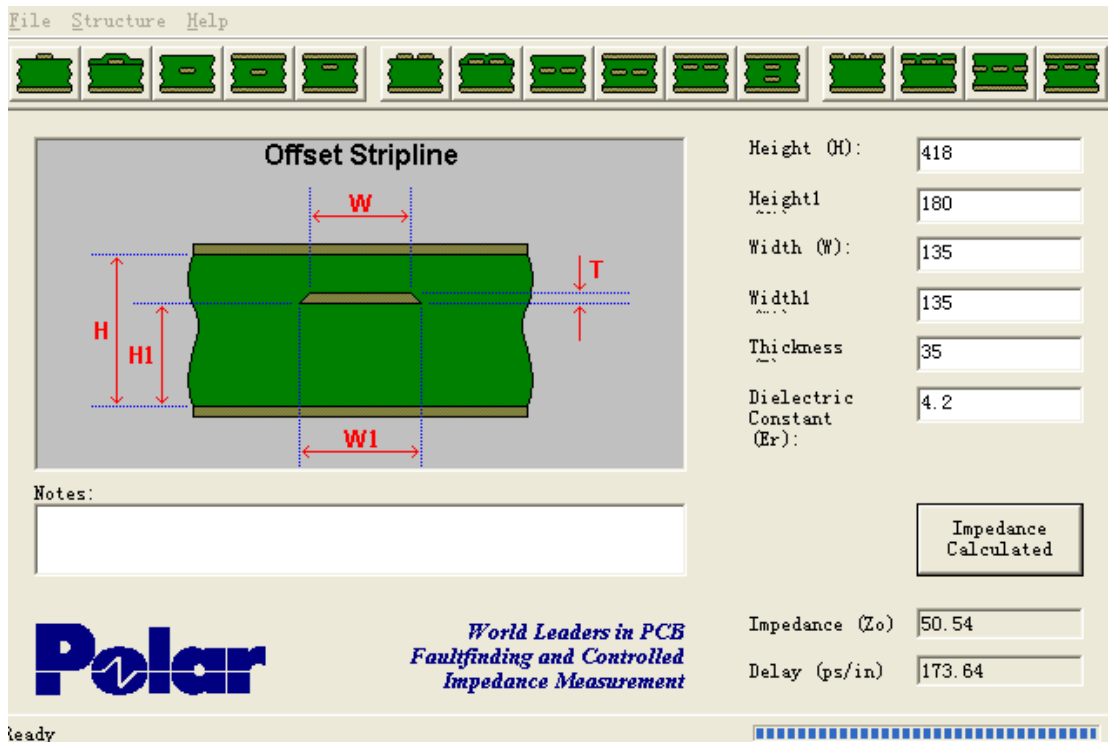


Figure 20: Offset Strip line Calculate

## 6.2 Example of impedance controlled RF trace

The following are some illustration of impedance controlled RF trace designing. It is should be noted that the RF trace's width and spacing to the reference ground is combined to specific PCB stack-up(the PCB's thickness, clearance between every layer).

### 6.2.1 Two-layers PCB

The board thickness is 0.8mm.

layer



| number | Details for calculation | Total thickness average | After press nominal |
|--------|-------------------------|-------------------------|---------------------|
|        | soldermask              |                         | 10(min)             |
| 1      | Copper                  | 12+plating              | 25~48               |
| 1      | PP                      | 700                     | 700                 |
| 1      | Copper                  | 12+plating              | 25~48               |
|        | soldermask              |                         | 10(min)             |
| TOTAL  |                         |                         | 800                 |

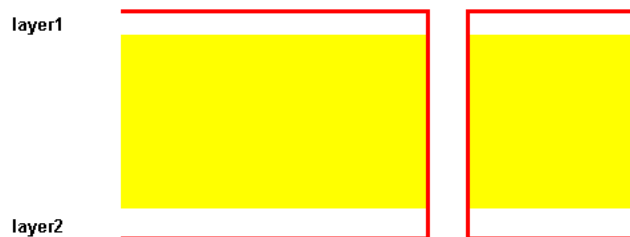
unit:um

finish thickness =0.8mm

| SIG layer | GND layer | Target Imp. | Expected Width |
|-----------|-----------|-------------|----------------|
| L1        | L2        | 50 Ω        | 1.35MM (53MIL) |
| L2        | L1        | 50 Ω        | 1.35MM (53MIL) |

The board thickness is 1.0mm.

layer



| number | Details for calculation | Total thickness average | After press nominal |
|--------|-------------------------|-------------------------|---------------------|
|        | soldermask              |                         | 10(min)             |
| 1      | Copper                  | 12+plating              | 25~48               |
| 1      | PP                      | 900                     | 900                 |
| 1      | Copper                  | 12+plating              | 25~48               |
|        | soldermask              |                         | 10(min)             |
| TOTAL  |                         |                         | 1000                |

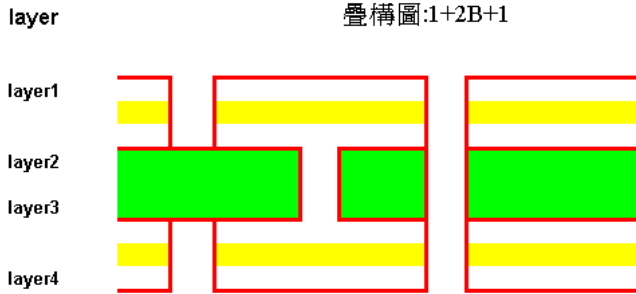
unit:um

finish thickness =1.0mm

| SIG layer | GND layer | Target Imp. | Expected Width |
|-----------|-----------|-------------|----------------|
| L1        | L2        | 50 Ω        | 1.7MM (67MIL)  |
| L2        | L1        | 50 Ω        | 1.7MM (67MIL)  |

### 6.2.2 Four-layers PCB

The board thickness is 0.8mm.



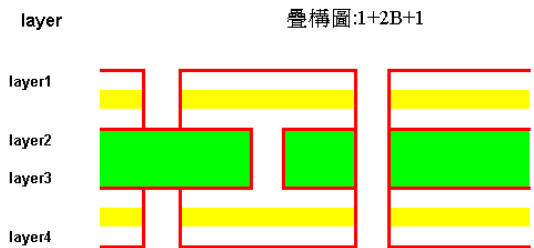
| number | Details for calculation | Total thickness average | After press nominal |
|--------|-------------------------|-------------------------|---------------------|
|        | soldermask              |                         | 10(min)             |
| 1      | Copper                  | 12+plating              | 25~48               |
| 1      | PP                      | 76                      | 70                  |
|        | copper                  | 18+plating              | 25~48               |
| 1      | core0.465r              | 465                     | 465                 |
|        | copper                  | 18+plating              | 25~48               |
| 1      | PP                      | 76                      | 70                  |
| 1      | Copper                  | 12+plating              | 25~48               |
|        | soldermask              |                         | 10(min)             |
| TOTAL  |                         |                         | 800                 |

unit:um

finish thickness =0.8mm

| RF Signal layer | reference GND layer | Target Imp. | Expected RF Trace Width |
|-----------------|---------------------|-------------|-------------------------|
| L1              | L2                  | 50 Ω        | 0.114MM (4.5MIL)        |
| L4              | L3                  | 50 Ω        | 0.114MM (4.5MIL)        |
| L2              | L1, L3              | 50 Ω        | 0.099MM (3.9MIL)        |
| L3              | L2, L4              | 50 Ω        | 0.099MM (3.9MIL)        |

The board thickness is 1.0mm.



| number | Details for calculation | Total thickness average | After press nominal |
|--------|-------------------------|-------------------------|---------------------|
|        | soldermask              |                         | 10(min)             |
| 1      | Copper                  | 12+plating              | 25~48               |
| 1      | PP                      | 76                      | 70                  |
|        | copper                  | 18+plating              | 25~48               |
| 1      | core0.665r              | 665                     | 665                 |
|        | copper                  | 18+plating              | 25~48               |
| 1      | PP                      | 76                      | 70                  |
| 1      | Copper                  | 12+plating              | 25~48               |
|        | soldermask              |                         | 10(min)             |
| TOTAL  |                         |                         | 1000                |

unit:um

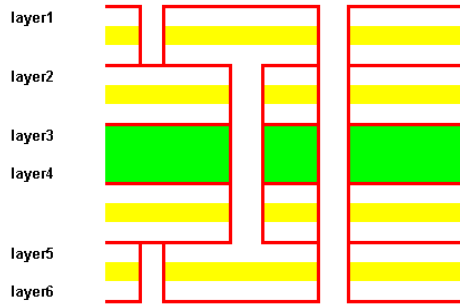
finish thickness =1.0mm

| RF Signal layer | reference GND layer | Target Imp. | Expected RF Trace Width |
|-----------------|---------------------|-------------|-------------------------|
| L1              | L2                  | 50 Ω        | 0.114MM (4.5MIL)        |
| L4              | L3                  | 50 Ω        | 0.114MM (4.5MIL)        |
| L2              | L1, L3              | 50 Ω        | 0.099MM (3.9MIL)        |
| L3              | L2, L4              | 50 Ω        | 0.099MM (3.9MIL)        |

### 6.2.3 Six-layers PCB

The board thickness is 1.0mm.

layer 叠構圖:1+4B+1



|       |            |            |         |
|-------|------------|------------|---------|
|       | soldermask |            | 10(min) |
| 1     | Copper     | 12+plating | 25~48   |
| 1     | PP         |            | 76      |
| 1     | copper     | 18+plating | 25~48   |
| 1     | PP         |            | 208     |
|       |            |            | 35      |
| 1     | core0.18m  | 180        | 180     |
|       |            |            | 35      |
| 1     | PP         |            | 208     |
| 1     | copper     | 18+plating | 25~48   |
| 1     | PP         |            | 76      |
| 1     | Copper     | 12+plating | 25~48   |
|       | soldermask |            | 10(min) |
| TOTAL |            |            | 1000    |

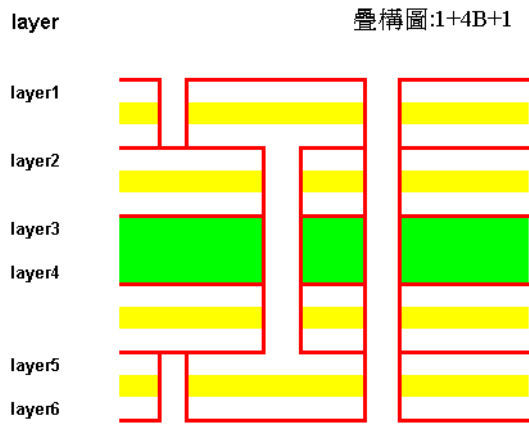
unit:um

finish thickness =1.0mm

| SIG layer | GND layer | Target Imp. | Expected Width   |
|-----------|-----------|-------------|------------------|
| L1        | L2        | 50 Ω        | 0.114MM (4.5MIL) |
| L1        | L3        | 50 Ω        | 0.584MM (23MIL)  |
| L6        | L5        | 50 Ω        | 0.114MM (4.5MIL) |
| L6        | L4        | 50 Ω        | 0.584MM (23MIL)  |
| L3        | L2, L4    | 50 Ω        | 0.135MM (5.3MIL) |
| L3        | L2, L5    | 50 Ω        | 0.210MM (8.3MIL) |
| L4        | L3, L5    | 50 Ω        | 0.135MM (5.3MIL) |
| L4        | L2, L5    | 50 Ω        | 0.210MM (8.3MIL) |



The board thickness is 1.2mm.



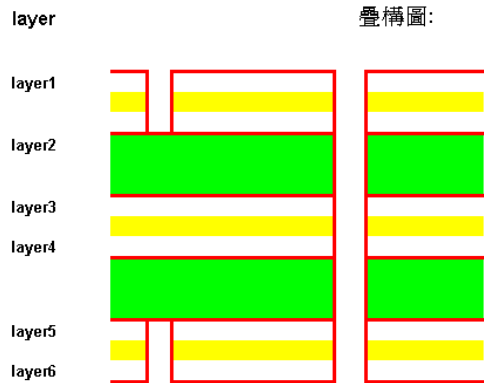
| number | Details for calculation | Total thickness average | After press nominal |
|--------|-------------------------|-------------------------|---------------------|
|        | soldermask              |                         | 10(min)             |
| 1      | Copper                  | 12+plating              | 25~48               |
| 1      | PP                      | 76                      | 70                  |
| 1      | copper                  | 18+plating              | 25~48               |
| 1      | PP                      | 132                     | 127                 |
|        |                         |                         | 17                  |
| 1      | core0.565r              | 565                     | 565                 |
|        |                         |                         | 17                  |
| 1      | PP                      | 132                     | 127                 |
| 1      | copper                  | 18+plating              | 25~48               |
| 1      | PP                      | 76                      | 70                  |
| 1      | Copper                  | 12+plating              | 25~48               |
|        | soldermask              |                         | 10(min)             |
| TOTAL  |                         |                         | 1200                |

unit:um

finish thickness =1.2mm

| RF Signal layer | Reference GND layer | Target Impedance | Expected RF Trace Width |
|-----------------|---------------------|------------------|-------------------------|
| L1              | L2                  | 50 Ω             | 0.114MM (4.5MIL)        |
| L1              | L3                  | 50 Ω             | 0.42MM (16.5MIL)        |
| L6              | L5                  | 50 Ω             | 0.114MM (4.5MIL)        |
| L6              | L4                  | 50 Ω             | 0.42MM (16.5MIL)        |
| L3              | L2, L4              | 100 Ω            | 0.305MM (12.5MIL)       |
| L3              | L2, L5              | 100 Ω            | 0.381MM (15MIL)         |
| L4              | L3, L5              | 100 Ω            | 0.305MM (12.5MIL)       |
| L4              | L2, L5              | 100 Ω            | 0.381MM (15MIL)         |

The board thickness is 1.6mm.



| number | Details for calculation | Total thickness | After press nominal |
|--------|-------------------------|-----------------|---------------------|
|        | soldermask              |                 | 10(min)             |
| 1      | Copper                  | 12+plating      | 25~48               |
| 1      | PP                      | 76              | 70                  |
| 1      |                         | 18              | 17                  |
| 1      | core0.51m               | 510             | 510                 |
|        |                         | 18              | 17                  |
|        |                         |                 | 17                  |
| 1      | PP                      | 231             | 220                 |
|        |                         |                 |                     |
|        |                         | 18              | 17                  |
| 1      | core0.51m               | 510             | 510                 |
| 1      |                         | 18              | 17                  |
|        |                         |                 |                     |
| 1      | PP                      | 76              | 70                  |
| 1      | Copper                  | 12+plating      | 25~48               |
|        |                         |                 |                     |
|        | soldermask              |                 | 10(min)             |
| TOTAL  |                         |                 | 1600                |

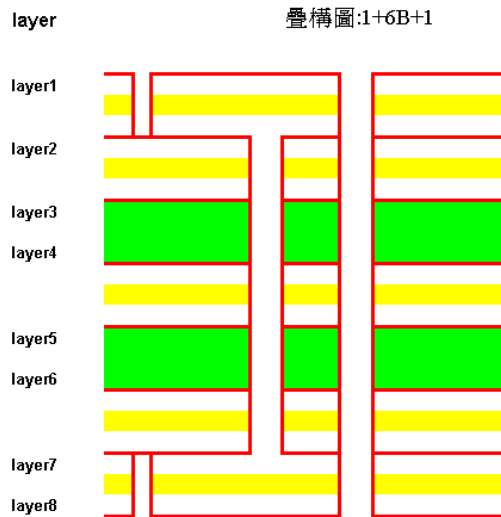
unit:um

finish thickness =1.6mm

| RF Signal layer | Reference GND layer | Target Impedance | Expected RF Trace Width |
|-----------------|---------------------|------------------|-------------------------|
| L1              | L2                  | 50 Ω             | 0.114MM (4.5MIL)        |
| L6              | L5                  | 50 Ω             | 0.114MM (4.5MIL)        |
| L3              | L2, L4              | 50 Ω             | 0.305MM (12MIL)         |
| L3              | L2, L5              | 75 Ω             | 0.246MM (9.7MIL)        |
| L4              | L3, L5              | 50 Ω             | 0.305MM (12MIL)         |
| L4              | L2, L5              | 75 Ω             | 0.246MM (9.7MIL)        |

### 6.2.4 Eight-layers PCB

The board thickness is 1.0mm.



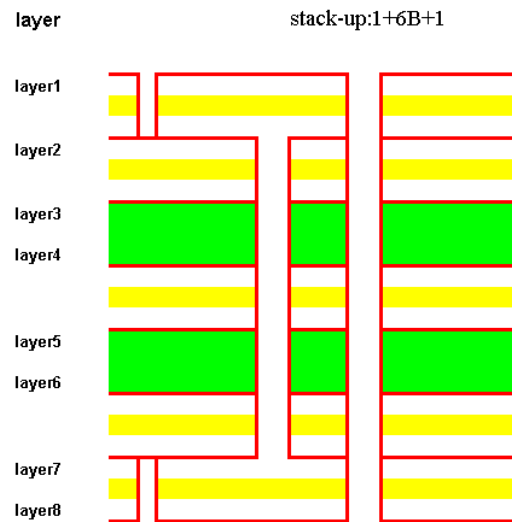
| number | Details for calculation | Total thickness average | After press nominal |
|--------|-------------------------|-------------------------|---------------------|
|        | soldermask              |                         | 10(min)             |
| 1      | Copper                  | 12+plating              | 25~48               |
| 1      | PP                      | 76                      | 70                  |
| 1      | copper                  | 18+plating              | 25~48               |
| 1      | PP                      | 76                      | 70                  |
|        |                         |                         | 17                  |
| 1      | core0.18mmH/H           | 180                     | 180                 |
|        |                         |                         | 17                  |
| 1      | PP                      | 76                      | 70                  |
|        |                         |                         | 17                  |
| 1      | core0.18mmH/H           | 180                     | 180                 |
|        |                         |                         | 17                  |
| 1      | PP                      | 76                      | 70                  |
| 1      | copper                  | 18+plating              | 25~48               |
| 1      | PP                      | 76                      | 70                  |
| 1      | Copper                  | 12+plating              | 25~48               |
|        | soldermask              |                         | 10(min)             |
| TOTAL  |                         |                         | 1000                |

unit:um

finish thickness =1.0mm

| RF Signal layer | Reference GND layer | Target Impedance | Expected RF Trace Width |
|-----------------|---------------------|------------------|-------------------------|
| L1              | L2                  | 50 Ω             | 0.114MM (4.5MIL)        |
| L1              | L3                  | 50 Ω             | 0.3MM (11.8MIL)         |
| L8              | L7                  | 50 Ω             | 0.114MM (4.5MIL)        |
| L8              | L6                  | 50 Ω             | 0.3MM (11.8MIL)         |
| L3              | L2, L4              | 50 Ω             | 0.0965 (3.8MIL)         |
| L3              | L2, L5              | 50 Ω             | 0.104MM (4.1MIL)        |
| L4              | L3, L5              | 50 Ω             | 0.0965 (3.8MIL)         |
| L4              | L2, L5              | 50 Ω             | 0.104MM (4.1MIL)        |
| L4              | L2, L7              | 50 Ω             | 0.305MM (12MIL)         |
| L6              | L5, L7              | 50 Ω             | 0.0965 (3.8MIL)         |
| L6              | L4, L7              | 50 Ω             | 0.104MM (4.1MIL)        |
| L5              | L4, L6              | 50 Ω             | 0.0965 (3.8MIL)         |
| L5              | L4, L7              | 50 Ω             | 0.104MM (4.1MIL)        |

The board thickness is 1.2mm.



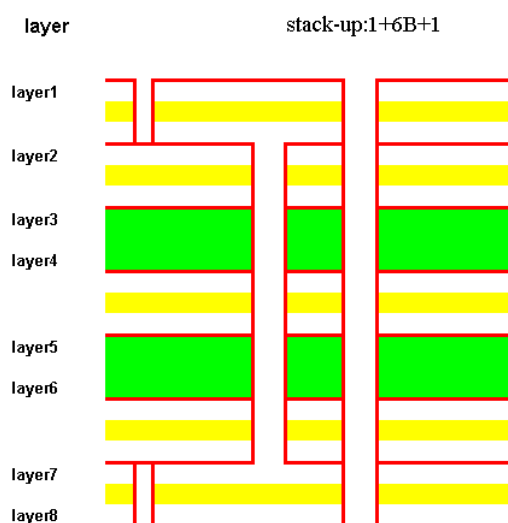
|              | Details for calculation | Total thickness average | After press nominal |
|--------------|-------------------------|-------------------------|---------------------|
|              | soldermask              |                         | 10(min)             |
| layer1       | Copper                  | 12+plating              | 25~48               |
| dielectric   | PP                      | 76                      | 70                  |
| layer2       | copper                  | 18+plating              | 25~48               |
| dielectric   | PP                      | 119                     | 114                 |
| layer3       |                         |                         | 17                  |
| dielectric   | core0.18mmH/H           | 180                     | 180                 |
| layer4       |                         |                         | 17                  |
| dielectric   | PP                      | 210                     | 203                 |
| layer5       |                         |                         | 17                  |
| dielectric   | core0.18mmH/H           | 180                     | 180                 |
| layer6       |                         |                         | 17                  |
| dielectric   | PP                      | 119                     | 114                 |
| layer7       | copper                  | 18+plating              | 25~48               |
| dielectric   | PP                      | 76                      | 70                  |
| layer8       | Copper                  | 12+plating              | 25~48               |
|              | soldermask              |                         | 10(min)             |
| <b>TOTAL</b> |                         |                         | <b>1200</b>         |

unit:um

finish thickness =1.2mm

| RF Signal layer | Reference GND layer | Target Impedance | Expected RF Trace Width |
|-----------------|---------------------|------------------|-------------------------|
| L1              | L2                  | 50 Ω             | 0.114MM (4.5MIL)        |
| L1              | L3                  | 50 Ω             | 0.394MM (15.5MIL)       |
| L8              | L7                  | 50 Ω             | 0.114MM (4.5MIL)        |
| L8              | L6                  | 50 Ω             | 0.394MM (15.5MIL)       |
| L3              | L2, L4              | 50 Ω             | 0.135 (5.3MIL)          |
| L3              | L2, L5              | 50 Ω             | 0.165MM (6.5MIL)        |
| L4              | L3, L5              | 50 Ω             | 0.185 (7.3MIL)          |
| L4              | L2, L5              | 50 Ω             | 0.24MM (9.5MIL)         |
| L6              | L5, L7              | 50 Ω             | 0.135 (5.3MIL)          |
| L6              | L4, L7              | 50 Ω             | 0.165MM (6.5MIL)        |
| L5              | L4, L6              | 50 Ω             | 0.185 (7.3MIL)          |
| L5              | L4, L7              | 50 Ω             | 0.24MM (9.5MIL)         |

The board thickness is 1.6mm.



| number     | Details for calculation | Total thickness average | After press nominal |
|------------|-------------------------|-------------------------|---------------------|
|            | soldermask              |                         | 10(min)             |
| layer1     | Copper                  | 12+plating              | 25~48               |
| dielectric | PP                      | 76                      | 70                  |
| layer2     |                         | 18+plating              | 25~48               |
| dielectric | core0.365mm H/H         | 365                     | 365                 |
| layer3     |                         | 18                      | 17                  |
| dielectric | PP                      | 76                      | 70                  |
| layer4     |                         | 18                      | 17                  |
| dielectric | core0.365mm H/H         | 365                     | 365                 |
| layer5     |                         | 18                      | 17                  |
| dielectric | PP                      | 76                      | 70                  |
| layer6     |                         | 18                      | 17                  |
| dielectric | core0.365mm H/H         | 365                     | 365                 |
| layer7     |                         | 18+plating              | 25~48               |
| dielectric | PP                      | 76                      | 70                  |
| layer8     | Copper                  | 12+plating              | 25~48               |
|            | soldermask              |                         | 10(min)             |
| TOTAL      |                         |                         | 1600                |

unit:um

finish thickness = 1.6mm

| RF Signal layer | Reference GND layer | Target Impedance | Expected RF Trace Width |
|-----------------|---------------------|------------------|-------------------------|
| L1              | L2                  | 50 Ω             | 0.114MM (4.5MIL)        |
| L8              | L7                  | 50 Ω             | 0.114MM (4.5MIL)        |
| L3              | L2, L4              | 50 Ω             | 0.11 (4.3MIL)           |
| L3              | L2, L5              | 50 Ω             | 0.432MM (17MIL)         |
| L4              | L3, L5              | 50 Ω             | 0.11 (4.3MIL)           |
| L4              | L2, L5              | 50 Ω             | 0.432MM (17MIL)         |
| L6              | L5, L7              | 50 Ω             | 0.11 (4.3MIL)           |
| L6              | L4, L7              | 50 Ω             | 0.432MM (17MIL)         |
| L5              | L4, L6              | 50 Ω             | 0.11 (4.3MIL)           |
| L5              | L4, L7              | 50 Ω             | 0.432MM (17MIL)         |

**Contact us:****Shanghai SIMCOM Wireless Solutions Ltd**

Add: SIM Technology Building, No. 633, JinZhong Road, Shanghai,PRChina 200335

Tel: +86 21 32523300

Fax: +86 21 32523200

URL:[www.sim.com](http://www.sim.com)