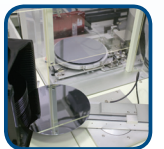
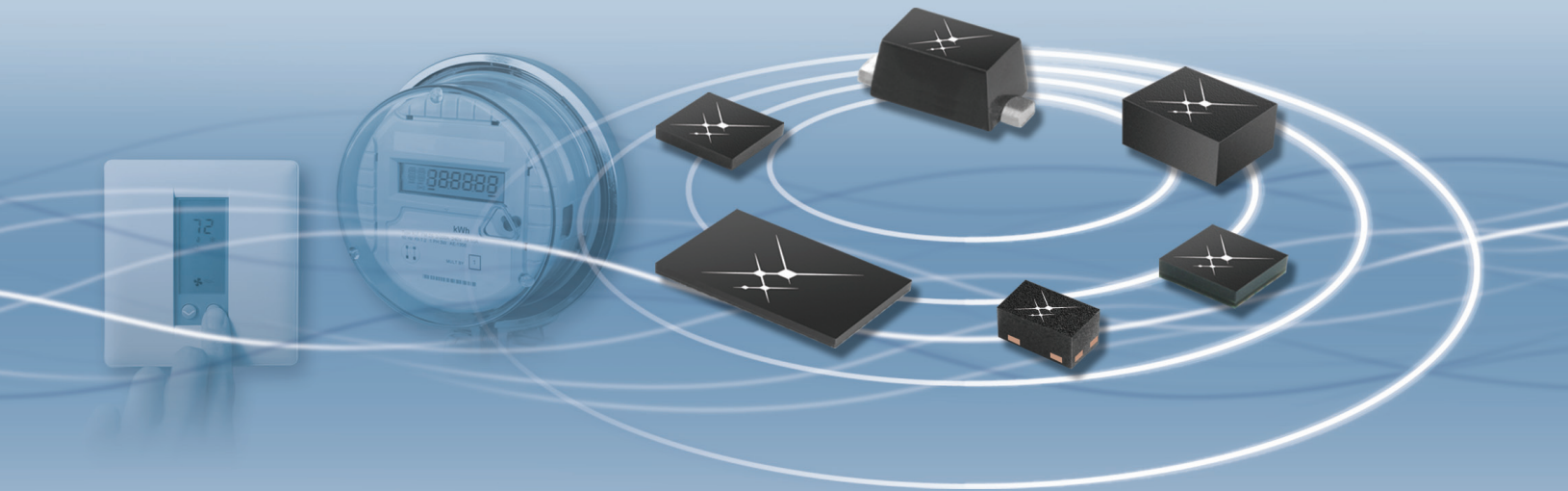




**SKYWORKS®**

BREAKTHROUGH SIMPLICITY



## Smart Energy Solutions

Connected Home and Automation

## Skyworks Solutions

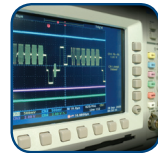
Skyworks Solutions, Inc. is an innovator of high reliability analog semiconductors. Leveraging core technologies, Skyworks offers diverse standard and custom linear products supporting automotive, broadband, cellular infrastructure, energy management, industrial, medical, military, networking, smartphone, and tablet applications. The Company's portfolio includes amplifiers, attenuators, circulators, detectors, diodes, directional couplers, front-end modules, hybrids, infrastructure RF subsystems, isolators, lighting and display solutions, mixers/demodulators, optocouplers, optoisolators, phase shifters, PLLs/synthesizers/VCOs, power dividers/combiners, power management devices, receivers, switches, and technical ceramics.

Headquartered in Woburn, Massachusetts, USA, Skyworks is worldwide with engineering, manufacturing, sales and service facilities throughout Asia, Europe and North America. For more information, please visit Skyworks' Web site at: [www.skyworksinc.com](http://www.skyworksinc.com).

New products are continually being introduced at Skyworks. For the latest information, visit our Website at [www.skyworksinc.com](http://www.skyworksinc.com). For additional information, please contact your local sales office or email us at [sales@skyworksinc.com](mailto:sales@skyworksinc.com).

## The Skyworks Advantage

- Broad front-end module and precision analog product portfolio
- Market leadership in key product segments
- Solutions for all air interface standards, including CDMA, GSM / GPRS / EDGE, LTE, WCDMA, WLAN, and WiMAX
- Engagements with a diverse set of top-tier customers
- Strategic partnerships with all leading baseband suppliers
- Analog, RF and mixed-signal design capabilities
- Access to all key process technologies: GaAs HBT, pHEMT, BiCMOS, SiGe, CMOS and RF CMOS, and Silicon
- World-class manufacturing capabilities and scale
- Unparalleled level of customer service and technical support
- Commitment to technology innovation



## Table of Contents

### Product Specifications

Custom Front-End Modules (FEMs) . . . . .	4
Front-End Modules (FEMs) . . . . .	4
Power Amplifiers. . . . .	5
Low Noise Amplifiers . . . . .	5
Switches. . . . .	5
Synthesizers . . . . .	6
Voltage Controlled Oscillators (VCOs). . . . .	6
Varactor Diodes. . . . .	6
PIN Diodes . . . . .	7
Schottky Diodes. . . . .	7

## Smart Energy Solutions

Skyworks is committed to supporting designers with leading edge performance products for designs targeted at 450, 915, and 2400 MHz radios. Our key product focus is in the following areas of the radio:

- Front-End Modules (FEMs)
- Power Amplifiers (PAs) and Drivers
- Low Noise Amplifiers (LNAs)
- Switches
- Phase Lock Loops (PLLs)
- Voltage Control Oscillators (VCOs)
- Synthesizers
- Diodes

These solutions are ideal for applications ranging from wireless local area networks (WLAN), automated metering infrastructure (AMI), automated meter reading (AMR), professional mobile radio (PMR), and other ISM band applications including:

- ZigBee® (IEEE 802.15.4)
- Industrial and Control Unlicensed Band Radios
- Plug-in Hybrid Electric Vehicles (PHEVs)
- 802.15.4g
- Home Security and Automation

New products are continually being introduced at Skyworks. For the latest information, visit our Web site at [www.skyworksinc.com](http://www.skyworksinc.com). For additional information, please contact your local sales office or email us at [sales@skyworksinc.com](mailto:sales@skyworksinc.com).



### Skyworks Solutions, Inc.

20 Sylvan Road, Woburn, MA 01801  
USA: (781) 376-3000 • Asia: 886 2 2735 0399  
Europe: 33 (0)1 41443660 • Fax: (781) 376-3100  
Email: [sales@skyworksinc.com](mailto:sales@skyworksinc.com) • [www.skyworksinc.com](http://www.skyworksinc.com)



#### Innovation to Go™

Select products and sample/designer kits available for purchase online. [www.skyworksinc.com](http://www.skyworksinc.com)



Skyworks lead (Pb)-free products are compliant to all applicable materials legislation. For additional information, refer to *Skyworks Definition of Lead (Pb)-Free*, document number SQ04-0073. Tin/lead (SnPb) packaging is not recommended for new designs.



Skyworks Green™ products are compliant to all applicable materials legislation and are halogen-free. For additional information, refer to *Skyworks Definition of Green™*, document number SQ04-0074.

## Custom Front-End Modules (FEMs)

Skyworks custom FEMs allow for significant size and cost reduction. In addition, many of Skyworks FEMs are designed to allow for “plug and play” functionality, thus drastically reducing the design time for new products. Customized FEMs can be created depending on transceiver implementation requirements. Various modules are being targeted at 450, 915, and 2400 MHz frequency bands. Figure 3 shows a custom FEM block diagram.

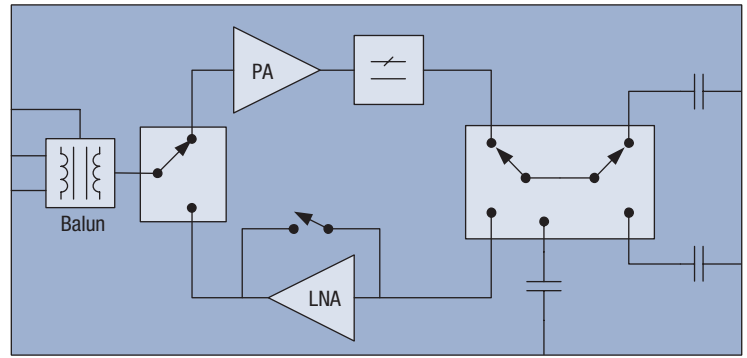


Figure 3. Custom Front-End Module (FEM)

### Possibilities for Integration Include:

- T/R Switches
- Power Amplifiers
- Low Noise Amplifiers (LNAs)
- Mixers
- Harmonic Filters

### Learn More

For additional information, please contact your local sales office or email us at [sales@skyworksinc.com](mailto:sales@skyworksinc.com)

## Front-End Modules (FEMs)

Part Number	Function	P <sub>OUT</sub> (dBm)	Tx Gain (dB)	I <sub>CC</sub> (mA)	Package (mm)	Frequency Band (MHz)		
						450	915	2400
SKY65338	Tx / Rx Front-End Module	27	32	315	MCM 8 x 8	•		
SKY65342	Tx / Rx Front-End Module	29	34	650	MCM 8 x 8	•		
SKY65346	Tx / Rx Front-End Module with LNA	26	35	200	MCM 5 x 5		•	
SKY65313	Tx / Rx Front-End Module with LNA	30.5	28	695	MCM 6 x 6		•	
SKY65348	Tx / Rx Front-End Module with LNA	27	26	380	MCM 8 x 8			•
SKY65296	WLAN Front-End Module	21	24	210	MCM 4 x 4			•
SE2431L	Tx / Rx Front-End Module with LNA	20	23	110	QFN 3 x 4			•
SE2432L	Tx / Rx Front-End Module with LNA	20	22	110	QFN 3 x 4			•
SE2435L	High Power Tx / Rx Front-End Module with LNA	30	28	550	QFN 4 x 4		•	
SE2436L	High Power Tx / Rx Front-End Module with LNA	27	28	400	QFN 4 x 4			•
SE2437L	Tx / Rx Front-End Module with Rx Bypass	20	22	110	QFN 3 x 4			•
SE2438T	Low Power Tx / Rx Front-End Module with LNA	10	16	20	QFN 3 x 3			•
SE2442L	High Power Tx / Rx Front-End Module with Rx Bypass	30	28	550	QFN 4 x 4		•	

## Power Amplifiers

Part Number	Function	P <sub>OUT</sub> (dBm)	Gain (dB)	P <sub>1dB</sub> (dBm)	Package (mm)	Frequency Band (MHz)		
						450	915	2400
SE2433T	2-Stage Power Amplifier	24	22	24	QFN 2.5 x 2			•

## Power Amplifiers

Part Number	Function	P <sub>OUT</sub> (dBm)	Gain (dB)	P <sub>1dB</sub> (dBm)	Package (mm)	Frequency Band (MHz)		
						450	915	2400
SE2433T	2-Stage Power Amplifier	24	22	24	QFN 2.5 x 2			•

Part Number	Function	Gain (dB)	P <sub>1dB</sub> (dBm)	I <sub>CC</sub> (mA)	Package (mm)	Frequency Band (MHz)		
						450	915	2400
SKY65116	2-Stage Power Amplifier	33	33	320	MCM 8 x 8	•		
SKY65111	3-Stage Power Amplifier	39.5	29.5	250	QFN 3 x 3		•	
SKY65006	3-Stage Power Amplifier	27.5	23.4	50	QFN 3 x 3			•
SKY65131	2-Stage Power Amplifier	26	28	150	MCM 4 x 4			•
SKY65132	3-Stage Power Amplifier	33	30	330	MCM 6 x 6			•
SKY65135	3-Stage Power Amplifier	33	33	400	MCM 6 x 6			•
SKY65009	Single Stage Driver	17	25	110	SOT-89 4.5 x 2.4	•	•	•
SKY65045	Single Stage Driver	14 dB @ 900 MHz	25	60	SOT-89 4.5 x 2.4	•	•	
SKY65162-70LF	Single Stage Driver	20	29	185	SOT-89 4.5 x 2.4	•	•	•

## Low Noise Amplifiers

Part Number	Function	Gain (dB)	NF (dB)	I <sub>CC</sub> (mA)	IP <sub>1dB</sub> (dBm)	Package (mm)	Frequency Band (MHz)		
							450	915	2400
SKY65050-372LF	LNA, Discrete (250–6000 MHz)	16 dB @ 900 MHz	0.6	10	-9	SC-70 2.2 x 1.35	•	•	•
SKY65047	LNA with Shutdown Mode	16.5 dB @ 915 MHz	0.85	7.8	-7	QFN 2 x 2	•	•	•
SKY65405-11	LNA with Shutdown Mode	14	1	12	-3	QFN 1.5 x 1.5			•
SKY67101-396LF	LNA, High Linearity	17.9	0.5	56	2.6	DFN 2 x 2		•	
SKY67012-396LF	LNA, Discrete (300–600 MHz)	16	0.9	15	-1	DFN 2 x 2	•		
SKY67013-396LF	LNA, Discrete (600–1500 MHz)	14.5	0.85	15	2.5	DFN 2 x 2		•	
SKY67014-396LF	LNA, Discrete (1500–3000 MHz)	12	0.95	5	5	DFN 2 x 2			•

## Switches

Part Number	Function	Insertion Loss (dB)	Isolation (dB)	P <sub>1dB</sub> (dBm)	Input IP3 (dBm)	Package (mm)	Frequency Band (MHz)		
							450	915	2400
SKY13268-344LF	SPDT Switch, Low Loss	0.3	25	30	50	SOT-666 1.5 x 1.2	•	•	•
SKY13309-370LF	SP3T Switch, Low Loss	0.5	25	29	–	QFN 2 x 2	•	•	•
AS179-92LF	SPDT Switch, Low Loss	0.3	25	30	48	SC-88 2.2 x 2	•	•	•
AS214-92LF	SPDT Switch, Low Loss	0.3	30	20	40	SC-88 2.2 x 2	•	•	•
SKY13270-92LF	SPDT Switch, Low Loss	0.35	24	>37	56	SC-88 2.1 x 2.0	•	•	•
AS193-73LF	SPDT Switch, Low Loss	0.35	24	37	55	SOT-6 2.8 x 2.9	•	•	•
SKY13348-374LF	SPDT Switch	0.6	27	37	52	DFN 1.5 x 1.5	•	•	•
SKY13370-374LF	SPDT Switch	0.7	31	39	55	DFN 1.5 x 1.5	•	•	•

## Synthesizers

Part Number	Function	Phase Noise (dBc/Hz)	Direct Modulation	I <sub>DD</sub> (mA)	Package (mm)	Frequency Band (MHz)		
						450	915	2400
SKY72300-21	Dual Frac-N Synthesizer	-91	FSK, FM, GMSK	12.5	TSSOP 9.7 x 6.4	•	•	
SKY72300-362	Dual Frac-N Synthesizer	-91	FSK, FM, GMSK	12.5	QFN 4 x 4	•	•	
SKY72301	Dual Frac-N Synthesizer	-96	FSK, FM, GMSK	11	TSSOP 9.7 x 6.4	•	•	
SKY72302	Dual Frac-N Synthesizer	-80	FSK, FM, GMSK	18	TSSOP 9.7 x 6.4	•	•	•
SKY72310	Single Frac-N Synthesizer	-91	FSK, FM, GMSK	12.5	QFN 4 x 4	•	•	

## Voltage Controlled Oscillators (VCOs)

Part Number	Function	Phase Noise (dBc/Hz)	Direct Modulation	I <sub>DD</sub> (mA)	Package (mm)	Frequency Band (MHz)		
						450	915	2400
SKY73120	CMOS VCO	-110 @ 25 kHz Offset	0	26	MCM 6 x 6		•	

## Varactor Diodes

Part Number	Function	Capacitance (C <sub>p</sub> )	Capacitance Ratio (C <sub>R</sub> )	Series Resistance (R <sub>s</sub> )/ Quality Factor	Package (mm)	Frequency Band (MHz)		
						450	915	2400
SMV1405-079LF	VCO Tuning	1.8 pF @ 1 V	C <sub>10</sub> /C <sub>T30</sub> = 4.1	Q @ 4 V 50 MHz = 3200	SC-79 1.6 x 0.8	•	•	•
SMV1405-040LF	VCO Tuning	1.8 pF @ 1 V	C <sub>10</sub> /C <sub>T30</sub> = 4.1	Q @ 4 V 50 MHz = 3200	0402 1.0 x 0.6	•	•	•
SMV1413-079LF	VCO Tuning	6.4 pF @ 1 V	C <sub>10</sub> /C <sub>T30</sub> = 4.2	Q @ 4 V 50 MHz = 2400	SC-79 1.6 x 0.8	•	•	•
SMV1408-001LF	VCO Tuning	2.9 pF @ 1 V	C <sub>10</sub> /C <sub>T30</sub> = 4.1	Q @ 4 V 50 MHz = 2900	SOT-23 2.9 x 2.35	•	•	•
SMV1247-011LF	VCO Tuning	7 pF @ 0.3 V	C <sub>T0.3</sub> /C <sub>T4.7</sub> = 10	Q @ 3 V 50 MHz = 1500	SOD-323 2.5 x 1.25	•	•	•
SMV1247-040LF	VCO Tuning	7 pF @ 0.3 V	C <sub>T0.3</sub> /C <sub>T4.7</sub> = 10	Q @ 3 V 50 MHz = 1500	0402 1.0 x 0.6	•	•	•
SMV1249-040LF	VCO Tuning	31 pF @ 0.3 V	C <sub>T0.3</sub> /C <sub>T4.7</sub> = 12.1	R <sub>s</sub> @ 3 V 500 MHz = 1.2 Ω	0402 1.0 x 0.6	•	•	•
SMV1249-079LF	VCO Tuning	31 pF @ 0.3 V	C <sub>T0.3</sub> /C <sub>T4.7</sub> = 12.1	R <sub>s</sub> @ 3 V 500 MHz = 2.2 Ω	SC-79 1.6 x 0.8	•	•	•
SMV1251-001LF	VCO Tuning	42 pF @ 0.3 V	C <sub>T0.3</sub> /C <sub>T4.7</sub> = 12.2	R <sub>s</sub> @ 3 V 500 MHz = 1.6 Ω	SOT-23 2.9 x 2.35	•	•	•
SMV1253-079LF	VCO Tuning	53 pF @ 0.3 V	C <sub>T0.3</sub> /C <sub>T4.7</sub> = 12.3	R <sub>s</sub> @ 3 V 500 MHz = 1.4 Ω	SC-79 1.6 x 0.8	•	•	•
SMV1255-011LF	VCO Tuning	64 pF @ 0.3 V	C <sub>T0.3</sub> /C <sub>T4.7</sub> = 12.3	R <sub>s</sub> @ 3 V 500 MHz = 1.3 Ω	SOD-323 2.5 x 1.25	•	•	•
SMV1233-011LF	VCO Tuning	3.3 pF @ 1 V	C <sub>T1</sub> /C <sub>T3</sub> = 1.5	R <sub>s</sub> @ 3 V 500 MHz = 1.2 Ω	SOD-323 2.5 x 1.25	•	•	•
SMV1236-004LF	VCO Tuning	17 pF @ 1 V	C <sub>T1</sub> /C <sub>T3</sub> = 1.6	R <sub>s</sub> @ 3 V 500 MHz = 0.5 Ω	SOT-23 2.9 x 2.35	•	•	•
SMV1763-040LF	VCO Tuning	5.2 pF @ 1 V	C <sub>T0.5</sub> /C <sub>T2.5</sub> = 2.3	R <sub>s</sub> @ 1 V 900 MHz = 0.7 Ω	0402 1.0 x 0.6	•	•	•
SMV1763-079LF	VCO Tuning	5.2 pF @ 1 V	C <sub>T0.5</sub> /C <sub>T2.5</sub> = 2.5	R <sub>s</sub> @ 1 V 500 MHz = 0.7 Ω	SC-79 1.6 x 0.8	•	•	•
SMV1142-011LF	VCO Tuning	8.2 pF @ 1 V	C <sub>T1</sub> /C <sub>T3</sub> = 1.5	R <sub>s</sub> @ 3 V 500 MHz = 0.7 Ω	SOD-323 2.5 x 1.25	•	•	•
SMV1235-079LF	VCO Tuning	11.5 pF @ 1 V	C <sub>T1</sub> /C <sub>T3</sub> = 1.8	R <sub>s</sub> @ 3 V 500 MHz = 0.6 Ω	SC-79 1.6 x 0.8	•	•	•
SMV1235-040LF	VCO Tuning	11.5 pF @ 1 V	C <sub>T1</sub> /C <sub>T3</sub> = 1.8	R <sub>s</sub> @ 3 V 500 MHz = 0.6 Ω	0402 1.0 x 0.6	•	•	•



## PIN Diodes

Part Number	Function	Voltage Breakdown ( $V_B$ )	Capacitance ( $C_j$ )	Series Resistance ( $R_s$ )	Package (mm)	Frequency Band (MHz)		
						450	915	2400
SMP1345-518	Antenna Switch	50 V @ 10 $\mu$ A	0.18 pF @ 5 V	$R_s$ @ 10 mA = 1.5 $\Omega$	LGA 1.2 x 1.4	•	•	•
SMP1340-040LF	TR Switch	50 V @ 10 $\mu$ A	0.20 pF @ 5 V	$R_s$ @ 10 mA = 0.9 $\Omega$	0402 1.0 x 0.6	•	•	•
SMP1340-079LF	Antenna Switch	50 V @ 10 $\mu$ A	0.20 pF @ 5 V	$R_s$ @ 10 mA = 0.9 $\Omega$	SC-79 1.6 x 0.8	•	•	•
SMP1322-017LF	TR Switch	50 V @ 10 $\mu$ A	1.0 pF @ 30 V	$R_s$ @ 10 mA = 0.5 $\Omega$	SOT-143 2.37 x 2.92	•	•	•
SMP1320-040LF	TR Switch	50 V @ 10 $\mu$ A	0.25 pF @ 30 V	$R_s$ @ 10 mA = 0.9 $\Omega$	0402 1.0 x 0.6	•	•	•
SMP1320-079LF	TR Switch	50 V @ 10 $\mu$ A	0.30 pF @ 30 V	$R_s$ @ 10 mA = 0.9 $\Omega$	SC-79 1.6 x 0.8	•	•	•
SMP1320-040LF	TR Switch	50 V @ 10 $\mu$ A	0.30 pF @ 30 V	$R_s$ @ 10 mA = 0.9 $\Omega$	0402 1.0 x 0.6	•	•	•
SMP1302-079LF	Attenuator Switch	200 V @ 10 $\mu$ A	0.30 pF @ 30 V	$R_s$ @ 10 mA = 3.0 $\Omega$	SC-79 1.6 x 0.8	•	•	•
SMP1302-040LF	TR Switch	50 V @ 10 $\mu$ A	0.30 pF @ 30 V	$R_s$ @ 10 mA = 0.9 $\Omega$	0402 1.0 x 0.6	•	•	•

## Schottky Diodes

Part Number	Function	Voltage Breakdown ( $V_B$ )	Capacitance ( $C_j$ )	Forward Voltage ( $V_f$ )	Package (mm)	Frequency Band (MHz)		
						450	915	2400
SMS7630-040LF	Detector	1 V @ 10 $\mu$ A	0.30 pF @ 0.15 V	$V_f$ @ 0.1 mA = 60–120 mV	SC-79 1.6 x 0.8	•	•	•
SMS7630-079LF	Detector	1 V @ 10 $\mu$ A	0.30 pF @ 0.15 V	$V_f$ @ 0.1 mA = 60–120 mV	0402 1.0 x 0.6	•	•	•
SMS7630-061	Detector	1 V @ 10 $\mu$ A	0.30 pF @ 0.15 V	$V_f$ @ 0.1 mA = 60–120 mV	0201 0.60 x 0.30	•	•	•
SMS7621-040LF	Detector/Mixer	2 V @ 10 $\mu$ A	0.18 pF @ 0.15 V	$V_f$ @ 1.0 mA = 260–320 mV	0402 1.0 x 0.6	•	•	•
SMS7621-079LF	Detector/Mixer	2 V @ 10 $\mu$ A	0.18 pF @ 0.15 V	$V_f$ @ 1.0 mA = 260–320 mV	SC-79 1.6 x 0.8	•	•	•
SMS7621-060	Detector/Mixer	2 V @ 10 $\mu$ A	0.18 pF @ 0.15 V	$V_f$ @ 1.0 mA = 260–320 mV	0201 0.60 x 0.30	•	•	•
SMS3926-023LF	Low Drive Mixer	2 V @ 10 $\mu$ A	0.30 pF @ 0 V	$V_f$ @ 1.0 mA = 200–270 mV	SOT-143 2.37 x 2.92	•	•	•
SMS3927-023LF	Medium Drive Mixer	2 V @ 10 $\mu$ A	0.30 pF @ 0 V	$V_f$ @ 1.0 mA = 310–370 mV	SOT-143 2.37 x 2.92	•	•	•
SMS3928-023LF	High Drive Mixer	4 V @ 10 $\mu$ A	0.30 pF @ 0 V	$V_f$ @ 1.0 mA = 520–580 mV	SOT-143 2.37 x 2.92	•	•	•



[www.skyworksinc.com](http://www.skyworksinc.com)

**USA**

**Headquarters: Massachusetts**  
 Skyworks Solutions, Inc.  
 20 Sylvan Road  
 Woburn, MA 01801  
 Telephone: (781) 376 3000  
 Fax: (781) 376 3100  
[sales@skyworksinc.com](mailto:sales@skyworksinc.com)

**California**

Skyworks Solutions, Inc.  
 5221 California Avenue  
 Irvine, CA 92617  
 Telephone: (949) 231 3000  
 Fax: (949) 231 3206  
[sales@skyworksinc.com](mailto:sales@skyworksinc.com)

**Maryland**

Skyworks Solutions, Inc.  
 5520 Adamstown Road  
 Adamstown, MD 21710  
 Telephone: (301) 695 9400  
 Fax: (301) 695 7065  
[transtech@skyworksinc.com](mailto:transtech@skyworksinc.com)

**EUROPE**

**Denmark**

Skyworks Solutions, Inc.  
 Parallelvej 10  
 Lyngby 2800, Denmark  
 Telephone: +45 45267945  
 Fax: +45 45267710  
[jan.thoning@skyworksinc.com](mailto:jan.thoning@skyworksinc.com)

**France**

Skyworks Semiconductor SAS  
 60 rue Saint André des Arts  
 Bâtiment D  
 75006 Paris  
 France  
 Telephone: +33 1 43548540  
 Fax: +33 1 43540005  
[irene.pfeiffer@skyworksinc.com](mailto:irene.pfeiffer@skyworksinc.com)

**United Kingdom**

Skyworks Solutions, Ltd.  
 The Abbey  
 Preston Road, Suite S1A  
 Abbey Manor Business Centre  
 Yeovil, Somerset BKS BA20 2EN, UK  
 Telephone: +44 7909 526 595  
 Fax: +44 1935 431269  
[robert.brophy@skyworksinc.com](mailto:robert.brophy@skyworksinc.com)

**Finland**

Skyworks Solutions, Inc.  
 Keilasatama 3  
 02150 Espoo  
 Finland  
 Telephone: +358 925107131  
[tommi.hiillos@skyworksinc.com](mailto:tommi.hiillos@skyworksinc.com)

**ASIA • PACIFIC**

**China**

Skyworks Solutions Commercial  
 (Shenzhen) Co., Ltd. Shanghai Branch  
 Room 2901-02, Chong Hing  
 Finance Center,  
 No. 288 Nanjing Road (W),  
 Shanghai, 200003 China  
 Telephone: +86 21 23066230  
 Fax: +86 21 33663398  
[elaine.zhao@skyworksinc.com](mailto:elaine.zhao@skyworksinc.com)

Skyworks Solutions, Inc.  
 Room 05, 11/F, Tower 2,  
 Kerry Plaza  
 No. 1 Zhongxinsi Road  
 Futian District  
 Shenzhen 518048 PRC  
 Telephone: +86 755 8291 3788  
 ext. 60017  
 Fax: +86 755 8293 1633  
[sabrina.chen@skyworksinc.com](mailto:sabrina.chen@skyworksinc.com)

Skyworks Solutions, Inc.  
 Suite 1212, COFCO, No. 8  
 Jianguomennei Avenue  
 Dongcheng District  
 Beijing, 100005 PRC  
 Telephone: +8610 652 60859  
 ext. 61608  
 Fax: +8610 852 98350  
[david.qi@skyworksinc.com](mailto:david.qi@skyworksinc.com)

**Japan**

Skyworks Solutions, Inc.  
 3-20-2 Nishi-Shinjuku  
 Shinjuku-ku  
 Opera City Tower  
 Tokyo, 163-1436  
 Japan  
 Telephone: +81 3 5308 5180  
 Fax: +81 3 5308 5190  
[ahihiro.karikomi@skyworksinc.com](mailto:ahihiro.karikomi@skyworksinc.com)

**Korea**

Skyworks Solutions, Inc.  
 12th Floor West Wing Posco Center  
 892 Daechi-Dong, Kangnam-Gu  
 Seoul, Korea 135-777  
 Telephone: +822 3490 3816  
[christine.cho@skyworksinc.com](mailto:christine.cho@skyworksinc.com)

**Singapore**

Skyworks Global Pte Ltd  
 10 Ang Mo Kio Street 65  
 #05-15/16 Techpoint  
 Singapore 569059  
 Telephone: +65 64031971  
 Fax: +65 64031931  
[yuenfong.choong@skyworksinc.com](mailto:yuenfong.choong@skyworksinc.com)

**Taiwan**

Skyworks Solutions, Inc.  
 4 F, #198, Section 2  
 Tun Hwa S. Road  
 Taipei 106, Taiwan ROC  
 Telephone: +8862 5559 8990  
 Fax: +8662 2735 6508  
[christina.hsu@skyworksinc.com](mailto:christina.hsu@skyworksinc.com)

**Skyworks Solutions, Inc.**

20 Sylvan Road, Woburn, MA 01801  
 USA: (781) 376-3000 • Asia: 886 2 2735 0399  
 Europe: 33 (0)1 43548540 • Fax: (781) 376-3100  
 Email: [sales@skyworksinc.com](mailto:sales@skyworksinc.com) • [www.skyworksinc.com](http://www.skyworksinc.com)

